

BEL BI603MFPY STA



Features

- **Consistent Results** - Equipped with Equiflow fan oven for consistent cooking results
- **Easy Clean** - Pyrolytic oven reduces grease and food residue to ash for easy cleaning
- **Time Saving** - Quick pre-heat function for faster results
- **Quieter Cooking** - Quadruple glazed door for reduced fan noise

Technical Specification

Main Features

Function	Oven (MF)
Fuel	Electric
No. of functions	13
Electric oven/grill	
Fixed rate dual circuit electric grill	Yes
Fanned Grill	Yes
Conventional electric oven	Yes
Fanned electric oven	Yes
Defrost	Yes
Pizza function	Yes
Bread proving function	Yes
Light only	Yes
Intensive bake	Yes
Base heat only	Yes
Base heat with fan	Yes
Quick Preheat	Yes
Pyrolytic function	Yes

Main door features

Construction (Glass/Solid)	Glass
Door opening	Drop down
Arrest position	Yes
Hinge type (std or soft close)	Std
Door Glazing	x4
Inner glass	Removable
Cladding style/colour	Stainless steel
Screened Branding	Belling

Cavity furniture

No of shelves	2
Usable area of shelf (WxD)	402 x 339
No of shelf positions	5
Guide for shelf	Full depth
Guides Removable	Yes
Telescopic Guide	1 pair
Shelf stops	Yes
Full Width Grill Pan	Yes
Grill Pan Finish	Blue White Enamelled steel
Trivet full width	Yes
Grill pan handle	Yes
Interior finish colour	Blue White Enamelled steel

Fascia features

Control Interface (rotary/touch)	Touch
Facia material	Glass Blk
Cladding style/colour	Stainless steel
Facia cooling system	Yes
Timer	
Touch control clock/programmer	Yes (White)

Dimensions

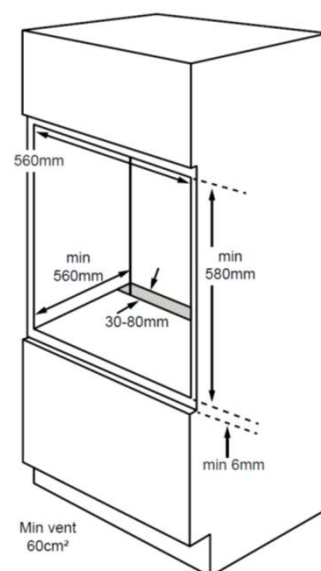
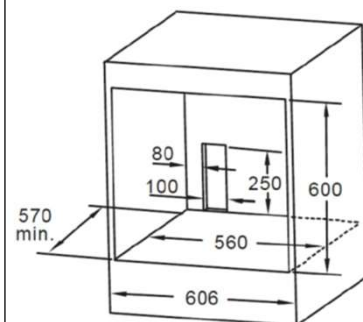
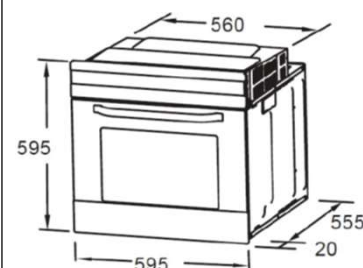
Product

Height (mm)	595
Width (mm)	595
Depth (mm)	565
Weight (kg)	35.2

Packed

Height (mm)	671
Width (mm)	650
Depth (mm)	720
Weight (kg)	38.9

Installation



Product Codes

Model	BEL BI603MFPY STA
SKU	444411401
EAN	5052263114012
Finish	Stainless Steel

BEL BI603MFPY STA



Features

- **Consistent Results** - Equipped with Equiflow fan oven for consistent cooking results
- **Easy Clean** - Pyrolytic oven reduces grease and food residue to ash for easy cleaning
- **Time Saving** - Quick pre-heat function for faster results
- **Quieter Cooking** - Quadruple glazed door for reduced fan noise

Technical Specification

Energy Information

Usable capacity (litres)	72
Cavity front dimensions (HxWxD mm)	361x497x393
Energy consumption (kWh)	1.01(conventional) 0.65(convection)
Energy rating	A+
Halogen Light	Yes

Installation

Electrical connection	Fixed wiring(cable supplied)
Lead Length (metres)	1.5
Fuse size (A)	32A
With Plug/Type	No
Terminal block position	Upper Left
Power supply	220~240V
Total Electrical Power Load at 240V (kW)	3200
Supply frequency (Hz)	50Hz
Phase (single or 3)	Single Phase

Dimensions

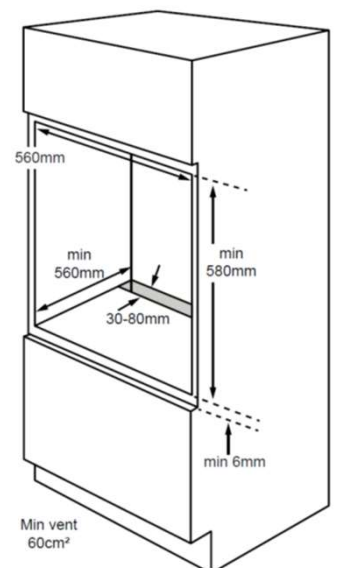
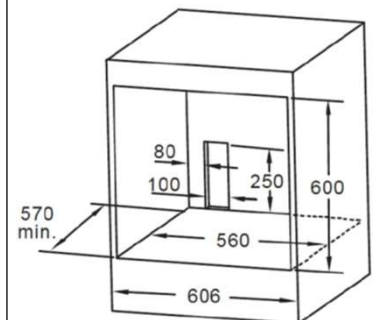
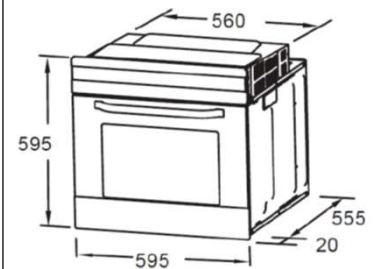
Product

Height (mm)	595
Width (mm)	595
Depth (mm)	565
Weight (kg)	35.2

Packed

Height (mm)	671
Width (mm)	650
Depth (mm)	720
Weight (kg)	38.9

Installation



Product Codes

Model	BEL BI603MFPY STA
SKU	444411401
EAN	5052263114012
Finish	Stainless Steel