

# BEL BI603MFC BLK



## Features

- **Consistent Results** - Equipped with Equiflow fan oven for consistent cooking results
- **Quieter Cooking** - Triple glazed door for reduced fan noise
- **Easy Clean** - Catalytic liners for a non-stick surface and grease absorption
- **Large Capacity** - 72L capacity

## Technical Specification

### Main Features

Function	Oven (MF)
Fuel	Electric
No. of functions	8
<b>Electric oven/grill</b>	
Fixed rate dual circuit electric grill	Yes
Fanned Grill	Yes
Conventional electric oven	Yes
Fanned electric oven	Yes
Defrost	Yes
Light only	Yes
Intensive bake	Yes
Base heat only	Yes

### Main door features

Construction (Glass/Solid)	Glass
Door opening	Drop down
Arrest position	Yes
Hinge type (std or soft close)	Std
Door Glazing	x3
Inner Door Glass	Removable
Cladding style/colour	Black Glass
Screened Branding	Belling

### Cavity furniture

No of shelves	2
Usable area of shelf (WxD)	402 x 339
No of shelf positions	5
Guide for shelf	Full depth
Guides Removable	Yes
Shelf stops	Yes
Full Width Grill Pan	Yes
Grill Pan Finish	Black Enamelled steel
Trivet full width	Yes
Grill pan handle	Yes
Catalytic Liners	Yes (2 sides)
Interior finish colour	Black Enamelled steel

### Fascia features

Control Interface (rotary/touch)	Rotary
Number of knobs	2
Style of knob	Push pull
Facia material	Glass Blk
Cladding style/colour	Black Glass
Facia cooling system	Yes
<b>Timer</b>	
LED clock/programmer	Yes (White)

## Dimensions

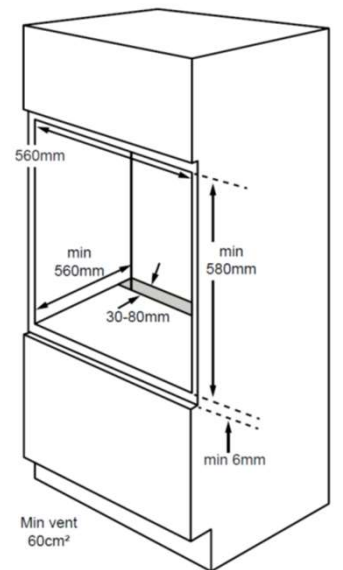
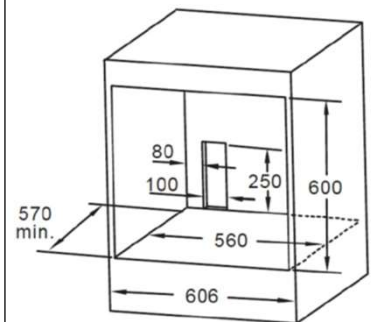
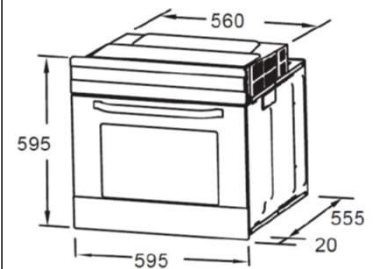
### Product

Height (mm)	595
Width (mm)	595
Depth (mm)	565
Weight (kg)	35.2

### Packed

Height (mm)	671
Width (mm)	650
Depth (mm)	720
Weight (kg)	38.9

## Installation



## Product Codes

<b>Model</b>	BEL BI603MFC BLK
<b>SKU</b>	444411400
<b>EAN</b>	5052263114005
<b>Finish</b>	Black

# BEL BI603MFC BLK



## Features

- **Consistent Results** - Equipped with Equiflow fan oven for consistent cooking results
- **Quieter Cooking** - Triple glazed door for reduced fan noise
- **Easy Clean** - Catalytic liners for a non-stick surface and grease absorption
- **Large Capacity** - 72L capacity

## Technical Specification

### Energy Information

Usable capacity (litres)	72
Cavity front dimensions (HxWxD mm)	361x497x393
Energy consumption (kWh)	0.93(conventional) 0.78(convection)
Energy rating	A
Halogen Light	Yes

### Installation

Electrical connection	Fixed wiring (cable supplied)
Lead Length (m)	1.5
Fuse size (A)	32A
With Plug/Type	No
Terminal block position	Upper Left
Power supply	220~240V
Total Electrical Power Load at 240V (kW)	2300
Supply frequency (Hz)	50Hz
Phase (single or 3)	Single Phase

## Dimensions

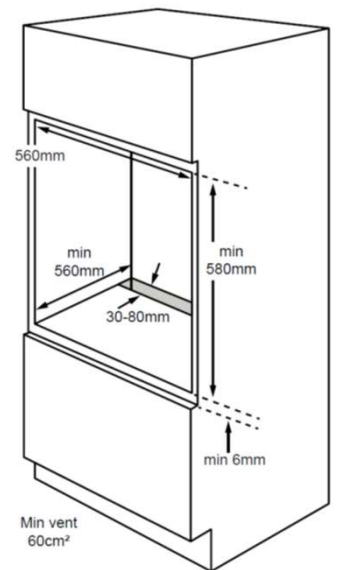
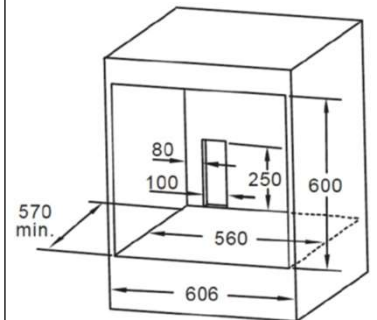
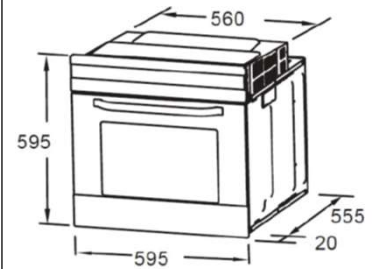
### Product

Height (mm)	595
Width (mm)	595
Depth (mm)	565
Weight (kg)	35.2

### Packed

Height (mm)	671
Width (mm)	650
Depth (mm)	720
Weight (kg)	38.9

## Installation



## Product Codes

<b>Model</b>	BEL BI603MFC BLK
<b>SKU</b>	444411400
<b>EAN</b>	5052263114005
<b>Finish</b>	Black