



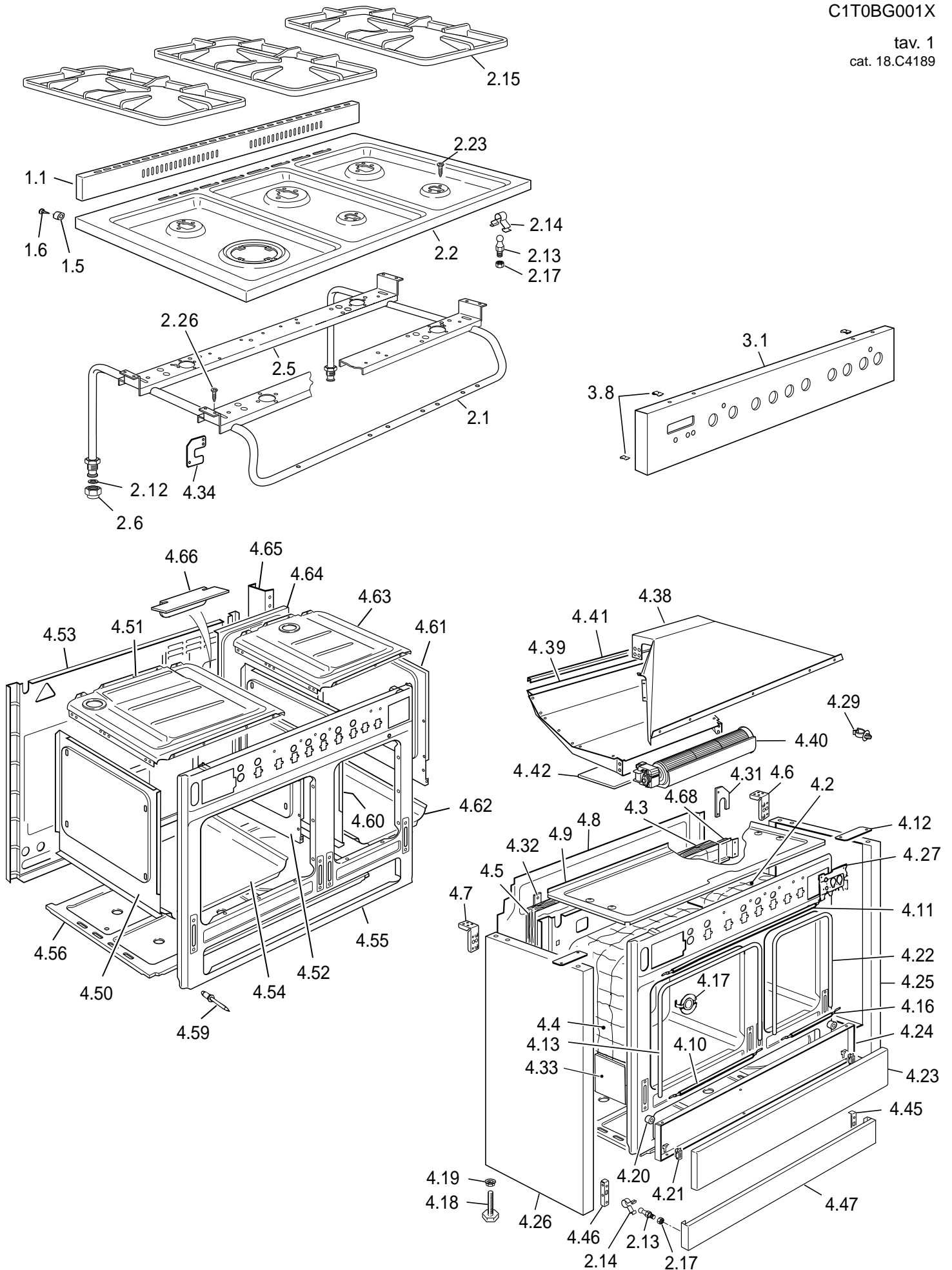
Twin cavity
dual fuel cooker

BG 100 DFDO

BG 100 DFDO

C1T0BG001X

tav. 1
cat. 18.C4189



REF.	CODE	DESCRIPTION
1.1	103670063	Rear trim
1.5	040041001	Plug
1.6	001007	Stainless steel screw
2.1	3421060001	Manifold
2.2	33110607S	Cooktop
2.5	51B1002	Burners support
2.6	027015	Inlet pipe plug
2.12	053024.1	Gasket
2.13	103615	Pin
2.14	035100	Spring
2.15	217566	Pan-support
2.17	214062	Nut
2.23	001234.1	Screw 7Px16
2.26	001167	Screw
3.1	35C1024LBG	Control panel
3.8	213007	Clips
4.2	030127.1	Oven insulation
4.3	030128.1	Rear insulation
4.4	030135.1	Oven insulation
4.5	030098.1	Rear insulation
4.6	094417DX	Rear right coupler
4.7	094417SX	Rear left coupler
4.8	4119S01	Rear panel
4.9	4219S01Z	Upper shelter
4.10	053074	Top/bottom seal
4.11	053095	Top seal
4.12	094429	Side panel bracket
4.13	053039	Seal
4.16	053094	Bottom seal
4.17	035097	Rotisserie hole plug
4.18	103410080	Shim
4.19	214056	Nut
4.20	040061	Buffer
4.21	063075	Hinge
4.22	053093	Seal
4.23	371V969LBG	Front panel
4.24	373V9601Y	Inside panel
4.25	3611TD1S	Side panel right
4.26	3611TS1S	Side panel left
4.27	094136	Bracket
4.29	531533	Tube retainer
4.31	094419	Equerre
4.32	4219604Z	Rear insulation support
4.33	58BN601	Hinge protection
4.34	094473	Manifold plate
4.38	46A9S02Z	Air conveyor
4.39	46A9S01Z	Funnel
4.40	079025	Tangential fan
4.41	053092	Funnel gasket
4.42	053097	Vibration-damper
4.45	094609	Right panel bracket
4.46	094610	Left panel bracket
4.47	1031033063	Panel

REF.	CODE	DESCRIPTION
4.50	45EN6106P	Oven side panel (Left)
4.51	45EN6101P	Top oven panel
4.52	45EN6107P	Oven side panel (Right)
4.53	45H9S001P	Body rear panel
4.54	47E6102P	Oven floor
4.55	45B9S001P	Body front panel
4.56	45K96001Z	Lower element cover
4.59	211012	Rivet
4.60	45E65104P	Oven side panel (Left)
4.61	45E65105P	Oven side panel (Right)
4.62	47E9S001P	Oven floor
4.63	45E9T003P	Top oven panel
4.64	45H9T001P	Body rear panel
4.65	4219S02Z	Right oven support
4.66	4219S03Z	Right oven lower rear panel
4.68	51B9S03	Rear insulation support

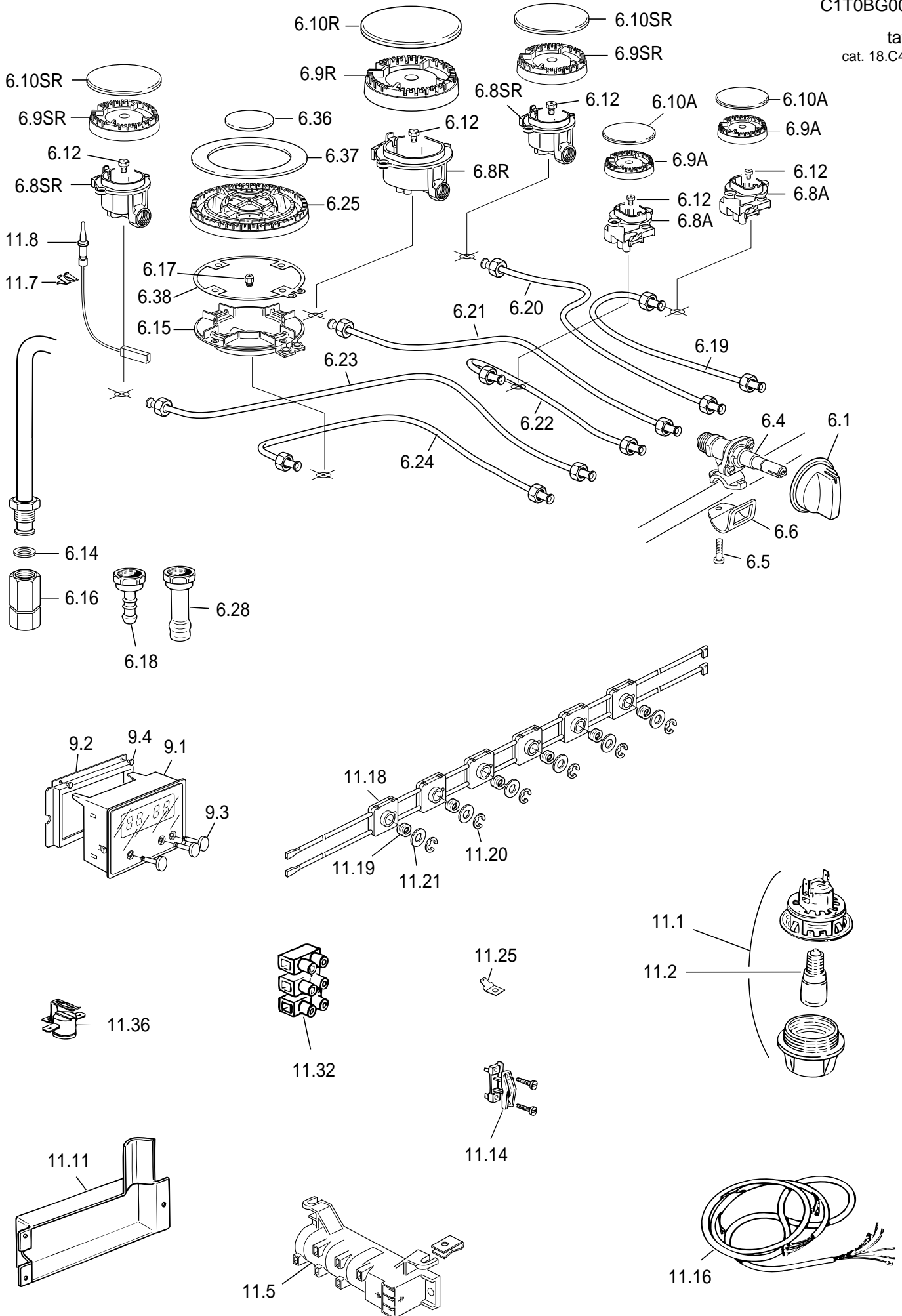
REF.	CODE	DESCRIPTION
5.1	032912546A	Door front panel with glass
5.3	037268061	Door handle
5.4	51B9102	Fixing bar
5.5	001056	Screw
5.6	001031	Screw M5x22
5.9	063109	Door hinge (female)
5.10	373F9104P	Door panel
5.11	053084	Gasket
5.12	0311000.1T	Inner glass
5.14	214021	Nut
5.15	001143	Screw
5.16	003035	Washer
5.17	103205	Washer
5.18	063059/ZA	Left door hinge (male)
5.19	063058/ZA	Right door hinge (male)
5.21	003030	Washer
5.22	003041	Washer R 5,7x15
5.30	0329S2547A	Door front panel with glass
5.31	037269061	Door handle
5.32	51B9S04	Fixing bar
5.34	0312159T	Inner glass
5.35	053096	Gasket
5.37	063111	Left door hinge (male)
5.38	063110	Right door hinge (male)
5.39	373F9S01P	Door panel
7.1	217291	Shelf support
7.3	48B6101P	Oven tray
7.4	217220	Oven shelf
7.5	217397	Grill-pan grid
7.12	037144	Grill-pan grid handle
7.13	217537	Grill-pan grid
7.30	217307	Shelf support
7.31	48B9S001P	Oven tray
7.32	217542	Oven shelf
8.1	218P87A419	Knob oven thermostat
8.2	218P21A419	Knob oven switch
8.15	050032	Oven switch
8.16	066072	Oven thermostat
8.17	062067004	Grill element - 230V
8.18	094395	Flange
8.19	030083.1	Bottom element insulation
8.20	4216102Z	Bottom element support
8.23	47AN601P	Fan diffuser
8.24	079008001F	Complete oven fan - 220/240V
8.25	030136.1	Fan motor insulation
8.26	062057004	Fan element
8.28	218P06A419	Knob oven thermostat
8.29	218P20A419	Knob oven switch
8.30	050046	Oven switch
8.31	062102004	Top + grill element
8.32	062096004	Bottom element
8.33	030129.1	Bottom element insulation
8.34	4219S04Z	Bottom element support
8.35	4219S05Z	Bottom element protection
8.36	213025	Clip
11.33	073035	Control lamp cover - Red
11.34	073038.2	Control lamp L=200

BG 100 DFDO

C1T0BG001X

tav. 3

cat. 18.C4189



REF.	CODE	DESCRIPTION
6.1	218P25A418	Burner knob
6.4	106240	Tap - Ø 0.27 A
=	106241	Tap - Ø 0.32 SR
=	106242	Tap - Ø 0.42 R
=	106243	Tap - Ø 0.65 TR
6.5	001233	Tap fixing screw
6.6	094382	Tap bracket
6.8A	215465	A burner-cup
6.8SR	215466	SR burner-cup
6.8R	215467	R burner-cup
6.9R	068105001	R burner head
6.9SR	068104001	SR burner head
6.9A	068108001	A burner head
6.10A	216137005A	A burner-cap
6.10SR	216138005A	SR burner-cap
6.10R	216139005A	R burner-cap
6.12	101234	Injector - Ø 0.72 - (X)
=	101235	Injector - Ø 0.97 - (Z)
=	101236	Injector - Ø 1.15 - (Y)
=	101237	Injector - Ø 1.35 - (T)
=	101180	Injector - Ø 0.50 - G30
=	101181	Injector - Ø 0.65 - G30
=	101182	Injector - Ø 0.85 - G30
=	101233	TR injector - Ø 0.95 - G30
6.14	053024.1	Elbow gasket
6.15	215469	Burner-cup TR
6.16	067039	Connection
6.19	029641	A inlet pipe - front right
6.18	027014	LPG connection
6.20	029640	SR inlet pipe - rear right
6.21	029639	R inlet pipe - rear central
6.22	029638	A inlet pipe - front central
6.23	029637	SR inlet pipe - rear left
6.24	029636	TR inlet pipe - front left
6.25	068113	TR burner head
6.28	027013	Natural gas connection
6.36	216132005A	Burner-cap inside TR
6.37	216133005A	Burner-cap outside TR
6.38	053078	Burner-cup gasket
9.1	074079	Electronic programmer
9.2	094608	Electronic programmer bracket
9.3	103861080	Button
9.4	040056	Rubber
11.1	072003	Lamp holder
11.2	073013001	Lamp
11.5	082048.1	Burners ignition coil
11.7	035094	Igniter spring
11.8	084029	Igniter - L = 630 mm
=	084035	Igniter TR - L = 900 mm
=	084036	Igniter - L = 900 mm
11.11	103230.1A	Terminal block protection
11.14	052008	Wire fastener
11.16	1131634	Wiring
11.18	103633	Ignition switches
11.19	035080	Ignition switches spring
11.20	003039	Retaining ring
11.21	003038	Washer
11.25	094221	Earth plate
11.32	051049	Terminal block 32A - 3P
11.36	066123	Cut-off thermostat 160°
=	066145	Cut-off thermostat 80°
=	066073	Cut-off thermostat 150°
-	1102894	Instruction booklet