

S T O V E S
Newhome

600DIS, 600DIS/T SERIES
Single Cavity (T1) Twin Cavity (T2)
For Natural Gas & Liquid Petroleum Gas Models

User - Installation - Servicing Handbook

GB

IE

FR

IT

ES

NL

DK

SE

CONTENTS

User's Section

Introduction & Spare Parts	1
Be Safe - Not Sorry	1
Using the Hob / Using the minute minder	2
Using the Grill	3
Using the Oven	3
Cleaning	4

Installation & Servicing Section

Regulation & Standards and Ventilation Requirements	4
Installation Instructions	4
Installation Dimensions	9
Servicing Instructions	5

Technical Data

8
Please keep this handbook for future servicing, or for anyone else who may use the appliance.

INTRODUCTION

Thank you for choosing this British built appliance. We hope the following information will enable you to familiarise yourself quickly with the features of the appliance, and to use it successfully and safely. Our policy is one of constant development and improvement. Strict accuracy of illustrations and specifications is not guaranteed. Modification to design and materials may be necessary subsequent to publication. This range is available with or without ignition.

Important: As with all gas appliances, it is recommended that your appliance is serviced regularly. • All installation, servicing and maintenance work should be carried out by a competent person who will comply with current Regulations, Standards and Requirements. • These instructions are only valid if the country symbol appears on the appliance. If the symbol does not appear on the appliance, it is necessary to refer to the technical instructions which will provide the necessary information concerning modification of the appliance to the conditions of use of the country.

Ventilation - The use of a gas cooking appliance results in the production of heat & moisture in the room in which it is installed. Ensure that the kitchen is well ventilated; keep natural ventilation holes open or install a mechanical ventilation device (mechanical extractor hood). Prolonged intensive use of the appliance may call for more effective ventilation, for example increasing the level of mechanical ventilation where present.

The appliance must be installed (and serviced) by a Corgi registered approved installer or a person competent to ensure that the installation is in accordance with "The Gas Safety (Installation & Use) Regulations 1994", & the "The Gas Safety (Installation & Use) (Amendment) Regulations 1996". Failure to comply with these Regulations is a criminal offence. Disconnection of gas and electric appliances should always be carried out by competent persons.

Environmental Protection We are committed to protecting the environment and operates an Environmental Management System which complies with BS EN ISO 14001:1996.

Disposal of packaging • All our packaging materials are recyclable and environmentally friendly. • Please help us to protect our environment by disposing of all packaging in an environmentally friendly manner. • Please contact your local authority for the nearest recycling centre. **Caution:** Packaging materials can pose a risk of suffocation - keep away from children.

Burner ignition - The hotplate lid must be open for the hotplate, grill or oven burners to ignite. The ignition should not be operated for more than 15 seconds. If, after 15 seconds the burner has not lit, stop operating the ignition, open the compartment door and wait at least 1 minute before attempting to ignite the burner. In the event of the burner flames being accidentally extinguished, turn off the burner control and do not attempt to re-light the burner for at least 1 minute.

Flame Safety Device - The Flame Safety Device (FSD) cuts off the gas supply if the flame goes out for any reason.

The cooling fan - When the appliance is switched on, you may hear the cooling fan come on. This keeps the fascia and control knobs cool during grilling / cooking, and will continue to operate for up to 25 minutes after the appliance has been switched off. In the event of an electrical power failure or fan fault, do not use the appliance.

600DIS T2 600DIS/T T2- should any fault occur with the cooling fan, the appliance is fitted with a safety switch that will cut off the gas to the grill burner. This prevents the appliance becoming too hot if the fan fails, in this case contact customer support.

600DIS T1 - if the fascia and tap knobs become excessively hot, this may indicate that the fan is not working - contact Customer Support.

SPARE PARTS

When ordering spare parts, please give the following information so the appliance can be correctly identified:

1. The name of the appliance from the fascia, and its colour.
2. The model number and the serial number of the appliance (from the data badge).

BE SAFE - NOT SORRY

Caution: When you are cooking, keep children away from the vicinity of the appliance.

- **Warning:** Good ventilation is essential to the continuing safe operation of all gas appliances. Do not allow any ventilation openings to become accidentally or deliberately blocked.
- This product is designed as a domestic cooking appliance and should not be used for any other purpose.
- Keep all flammable materials (such as curtains, furnishings, tea towels & clothing) away from the appliance.
- Parts of the appliance may be hot during or immediately after use. Allow sufficient time for the appliance to cool after switching off.
- Do not drape tea towels over the flue vents as this creates a fire hazard.
- When opening the appliance door, take care to avoid skin contact with any steam which may escape from the cooking.
- Do not use aluminium foil to cover the grill pan, or put items wrapped in foil under the grill, as this can create a fire hazard.
- Do not use the oven with the door inner glass panel removed (glass oven doors only).
- Use oven gloves when removing hot food utensils from the oven or grill. The oven / grill and utensils will be very hot when in use.
- Do not use foil to line oven shelves or allow it to block the oven flue, as this creates a fire hazard and hinders circulation.
- When cooking heavy items - eg; turkeys - do not pull the oven shelf out with the item still on the shelf.
- If the cooker has a storage compartment below the oven, this should only be used to store oven furniture. Do not store any flammable materials in this compartment.
- When cooking with fat or oil, never leave unattended.
- Turn pan handles to a safe position, so they are out of reach of children, not overhanging the appliance and cannot be caught accidentally.
- Use pans with a flat base of minimum 100mm / 4 ins diameter, and maximum 200mm / 8 ins diameter, which are stable in use, and avoid using any old misshapen pans or any pan which is unstable when placed on a flat surface.
- Position pans over the centre of the burners, resting on the pan supports. If positioned off centre, smaller pans may be unstable.
- Commercial simmering aids should not be used as they create excessive temperatures that can damage the surface and may cause a hazard.
- Glass lids may shatter when heated, **turn off** all burners before shutting the lid.
- Never use the appliance for heating a room.
- If the appliance is installed in a touring caravan or motor home, ensure that the grill pan is safely packed away before moving.
- **Models without ignition button:** For safety reasons, we recommend the use of a hand held spark ignitor or gas lighter to ignite the burner, rather than a match or taper, which could allow burning debris to fall behind the appliance.
- In the event of accidental fat spillage or release of any burning material, it is recommended that the area beneath the oven is lined with a suitable non-combustible material.

When you have finished cooking, check that all controls are in the off position.

USING THE HOB

Ignition

Push in the control knob and turn anticlockwise to the 'full on' position. Hold the control knob in and operate the ignition button or hold a lighted match or taper to the burner.

Note: On some T1 models, FSD's may not be fitted to the hotplate burners. In this case, it is not necessary to hold in the control knob.

Do not hold the control knob in for more than 15 seconds. If after 15 seconds the burner has not lit, release the control knob and wait at least one minute before attempting a further ignition of the burner.

Note that on some models it is not necessary to hold the control knob in after turning clockwise to the 'full on' position.

In the event of the burner flames being accidentally extinguished, turn off the burner control and do not attempt to reignite the burner for at least one minute.

A few seconds after the flame has been established, the safety valve will open and the control knob can be released.

Turn the control knob to the required setting.

To switch off, push in the control knob and turn clockwise until the dot on the control knob is below the dot on the fascia panel.

To simmer - The simmer position is marked by the small flame symbol. Once lit turn the selected control knob anticlockwise past the large flame symbol (full on) to the small flame symbol.

Setting the minute minder

1. Press and release the *plus* button to change the display from clock to minute minder - the bell symbol will light.
2. Use the *plus* and *minus* buttons to set the length of time before the alarm tone will sound. The display will increase / decrease in units of 10 seconds up to 99 minutes 50 seconds, and in units of 1 minute from 1 hour 40 minutes upwards. The maximum period which may be set is 10 hours.

The display format will change after 99 minutes and 50 seconds to 1 hour and 40 minutes.

During countdown, the minute minder has priority on the display, which will show (in *minutes : seconds*, or *hours : minutes*) the time remaining.

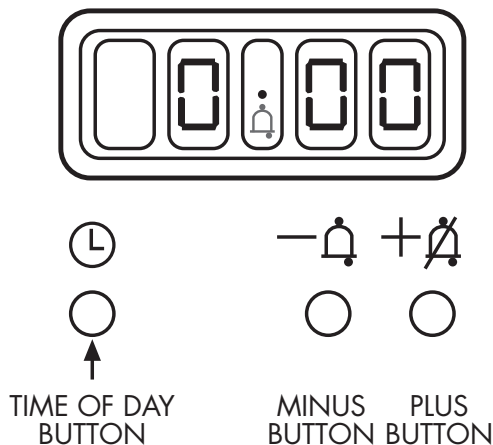
When countdown is complete, the tone will sound for 7 minutes, or it can be reset with one touch of any button.

To cancel the minute minder at any other time, run down the set time with the *minus* button.

The display will revert to show the time of day

USING THE MINUTE MINDER

Initial display



The digital timer enables you to set the time of day (24 hour clock) and the minute minder alarm.

Setting the "Time of Day"

1. Switch on the electricity supply to the appliance.
The display will flash.
2. Press and release the *time of day* button.
3. Set the time of day with the *plus* and *minus* buttons.
4. The time will be set 7 seconds after the last plus or minus operation.

Alarm tones

After setting the time of day, you can select one of three alarm tones.

Press the *minus* button to listen to the first tone, then release the *minus* button and press it again to listen to the second tone, etc.

Releasing the *minus* button after a tone has sounded will automatically select that tone.

Note: When positioning the pan support, ensure that the fingers are central to the burners. Always use the most appropriate size of burner for the pan you wish to use. Use the pans with a flat base of minimum 100mm / 4ins diameter, and maximum 200mm / 8ins diameter, which are stable in use. Avoid old or misshapen pans, as these may cause instability.

Operation of the lid (if fitted)

Caution: Glass lids may shatter when heated. Turn off all the burners before shutting the lid. • Any spillage should be removed from the surface of the lid before opening. • When opening and closing the lid, use the cooler outer sides of the lid trim. • The lid must be opened fully, so there is no danger of it closing while the hob is being used. • The cooker will only work with the lid raised. The gas will be shut off when the lid is lowered. • The lid is not intended to be used as a work surface, as it becomes hot when any part of the cooker is in use, and the surface may be scratched if items with rough or sharp surfaces are placed on it.

USING THE GRILL

- Note: The grill door must be open when the grill is used.
- The cooling fan will operate when the grill door is opened.
- **Caution: Accessible parts may be hot when the grill is used. Young children should be kept away.**
- Never cover the grill pan or trivet with cooking foil, or allow fat to build up in the grill pan, as this creates a fire hazard.
- Keep all flammable materials away from the appliance.

Note that some 600DIS T1 models are not fitted with a grill.

Ignition

Open the grill / oven door. Press the ignition button, turn the grill control knob to the full on position and hold in.

Do not hold the control knob in for more than 15 seconds. If after 15 seconds the burner has not lit, release the control knob and wait at least one minute before attempting a further ignition of the burner.

A few seconds after the flame has been established the safety valve will open and the control knob can be released. Turn the control knob to the required setting.

600 DIS T1 - The T1 has a fixed rate grilling position - ie; no turn down.

600 DIS T2 600DIS/T T2 - The grill can be turned down to a slightly reduced setting, by turning the control anticlockwise, past the large flame symbol (FULL ON), to the SMALL FLAME symbol when slower cooking is required.

To switch off, turn the control knob until the dot on the control knob is below the dot on the fascia panel.

In the event of the burner flames being accidentally extinguished, turn off the burner control and do not attempt to reignite the burner for at least one minute.

Using the grill - T1 and T2

There are three different grilling positions, as the grill trivet may be inverted to give a high or low position or it may be removed completely.

1. The HIGH trivet position is suitable for toasting bread.
2. The LOW trivet position is suitable for grilling all types of meat and fish.
3. With the grill trivet removed the food is placed directly on the base of the grill pan - eg; when cooking whole fish or browning dishes such as cauliflower cheese.
4. 600DIS T1 - The grill pan sits on the oven shelf, which has 5 positions.
600DIS T2 600DIS/T T2 - The grill pan sits on the grill shelf, which has 5 positions. **Always preheat the grill for 3 minutes for best results.**

Note: This product utilises a 5 position shelf guide in the grill cavity. When the grill pan is in the top position ensure that the grill pan trivet is in its lowest position within the grill pan.

Detachable grill pan handle - Place the handle over the edge of the grill pan. The handle should be removed from the pan during grilling, to prevent overheating. The handle is designed for removing / inserting the grill pan under the grill when grilling. If cleaning the grill pan when it is hot, use oven gloves to move it. *Do not* use the handle to pour hot fats from the grill pan.

USING THE OVEN

- **Caution: Accessible parts may be hot when the oven is used. Young children should be kept away.**
- Do not use foil on oven shelves, as this creates a fire hazard, and can hinder circulation of heat.
- Keep all flammable material away from the appliance.

Ignition

Models with piezo ignition Note: On some models, a piezo ignition unit may be fitted to ignite the oven. To ignite the oven, open the oven door. Push in and turn the control knob to the 'full on' position and press the ignition button firmly until the ignition unit clicks, repeat the operation until the oven burner lights, hold in the control knob.

Models without piezo ignition Open the oven door, push and turn the oven control

knob anticlockwise to the 'full on' position. Hold the control knob in and operate the ignition button or hold a lighted match or taper to the burner. Do not hold the control knob in for more than 15 seconds. If after 15 seconds the burner has not lit, release the control knob and wait at least one minute before attempting a further ignition of the burner.

In the event of the burner flames being accidentally extinguished, turn off the burner control and do not attempt to reignite for at least one minute.

A few seconds after the flame has established, the safety valve will open and the control knob can be released.

Turn the control knob to the required setting.

To switch off, push in the control knob and turn clockwise until the dot on the control knob is below the dot on the fascia panel.

Note: If you find that over a period of time, the oven becomes hotter when used at a particular Gas Mark, the thermostat may need to be replaced.

Preheating - The oven must be preheated for 10 minutes when reheating frozen or chilled food, and we recommend preheating for all yeast mixtures, batters, soufflés and whisked sponges. If you are not preheating the oven the cooking times may need to be extended.

Roasting guide

The times given in the roasting guide are only approximate, because the size and age of the bird will influence cooking times as will the shape of a joint and the proportion of bone.

Frozen meat should be thoroughly thawed before cooking. For large joints it is advisable to thaw overnight.

Frozen poultry should be thoroughly thawed before cooking. The time required depends on the size of the bird, eg; a large turkey may take up to 48 hours to thaw.

Cook at Gas Mark 5		Approximate cook time (preheated oven)
Beef	Rare	20 minutes per 450g (1lb), + 20 minutes
	Medium	25 minutes per 450g (1lb), + 25 minutes
	Well done	30 minutes per 450g (1lb), + 30 minutes
Lamb	Medium	25 minutes per 450g (1lb), + 25 minutes
	Well done	30 minutes per 450g (1lb), + 30 minutes
Pork		20 minutes per 450g (1lb), + 20 minutes
Poultry		20 minutes per 450g (1lb), + 20 minutes

Baking guide

Dish	Recommended Gas Mark	Suggested Shelf Position	Approx. Cooking Time (Preheated oven)
Scones	7	1 & 4	8 - 15 mins
Cakes			
Small cakes	5	2 & 5	15 - 25 mins
Whisked sponge	5	3	20 - 30 mins
Swiss roll	6	2	8 - 15 mins
Victoria sandwich (2 x 180mm / 7")	4	2 & 5	20 - 35 mins
Genoise sponge	5	3	20 - 30 mins
Madeira (180mm / 7")	3	4	1¼ - 1½ hrs
Semi rich fruit cake (205mm / 8")	2	5	2½ - 3 hrs approx.
Very rich fruit cake (205mm / 8")	2	5	3½ - 4½ hrs approx
Pastry			
Rough puff	7	2	15 - 45 mins
Flaky / Puff	7	2	15 - 45 mins
Shortcrust	6	2	15 - 45 mins
Flan	6	2	15 - 45 mins
Choux	6	2	20 - 45 mins
Biscuits			
Shortbread fingers	3	2	20 - 30 mins
Nut brownies	6	3	12 - 20 mins
Brandy snaps	3	2	12 - 13 mins
Flapjacks	4	3	20 - 40 mins
Ginger nuts	5	2	7 - 12 mins
Puddings			(1lt / 2 pint dish)
Rice pudding	2	3	2 - 2½ hrs
Baked custard	2 / 3	3	1 - 1¼ hrs
Bread and butter	3	3	1 - 1½ hrs
Hot soufflé	4	3	40 - 50 mins
Fruit crumble	5	3	30 - 50 mins
Bread			
2 x 500g (1lb) loaves	7	3	20 - 40 mins
1 x 1 kg (2lb) loaf	7	3	30 - 45 mins

CLEANING

Caution: Any cleaning agent used incorrectly may damage the appliance. Always let the appliance cool before cleaning.

Some cooking operations generate considerable amount of grease, this combined with spillage can become a hazard if allowed to accumulate through lack of cleaning. In extreme cases this may amount to misuse of the appliance and could invalidate your guarantee.

Do not use caustic, corrosive or abrasive cleaning products, coarse wire wool or any hard implements, as they will damage the surfaces. All parts of the appliance can be safely cleaned with a cloth wrung out in hot soapy water.

Vitreous Enamel parts

GRILL PAN, HOB TOP & PAN SUPPORTS, OVEN COMPARTMENT

Use a mild cream cleaner - eg; "Cif". Stubborn marks may be removed with a moistened "Brillo" pad. The pan supports and grill pan may be cleaned in a dishwasher, or with a nylon brush in hot soapy water.

Painted & plastic parts

METAL DOOR PANELS & FACIA PANEL, HANDLES, CONTROL KNOBS

Only use a clean cloth wrung out in hot soapy water.

Chrome plated parts

OVEN SHELVES & OVEN SHELF RUNNERS, GRILL PAN TRIVET

Use a moist soap pad - eg; "Brillo". Oven shelf runners can be removed for cleaning. Grasp the runners and slide out of the hanging holes.

Burner caps and heads

Important: Allow burners to cool before cleaning. **Caution:** Hotplate burners can be damaged by soaking, automatic dishwashers (or dishwasher powders / liquids), caustic pastes, hard implements, coarse wire wool, and abrasive cleaning pastes.

For the burners to work safely, the slots in the burner head where the flames burn need to be kept clear of deposit - use a nylon brush, rinse, and dry thoroughly. Clean with a moist soapy pad - eg; "Brillo".

Note: **Fixed burners** (if fitted): Some versions incorporate fixed burners. These burners are secured to the hob with 2 screws. Fixed burners must be cleaned whilst in position. Make sure that the gap between the burner and the hotplate does not become blocked with grease.

Important: The burner caps and heads must be repositioned correctly so that they sit squarely onto the hob.

INSTALLATION INSTRUCTIONS

Important: This appliance must only be installed in accordance with the regulations in force, and only in a well ventilated space. Read the instructions before installing or using this appliance.

Regulations & Standards In your own interest and that of safety, it is the law that all gas appliance be installed and serviced by competent persons. CORGI registered installers undertake to work to satisfactory standards.

In the UK the regulations and standards are as follows (inclusive of successive issues):

1. Gas Safety Regulations 1996 (Installation and Use).
2. Building Regulations - Issued by the Department of the Environment.
3. Building Standards (Scotland) (Consolidated) - Issued by the Scottish Development Department.
4. The current I.E.E. Wiring Regulations.
5. Electricity at Work Regulations 1989.
6. BS 6172 Installation & Servicing Instructions for this appliance. Also, for **LP Gas** refer to BS 5482 : Part 1, Part 2 or Part 3 as relevant (or EN 721).
7. For installation in boats or other vessels, refer to BS 5482 : Part 3 : 1979 and any other regulations specific to boats & marine installations.

Ventilation Requirements (Domestic Installations)

The room containing the appliance should have an air supply in accordance with BS 5440: Part 2: 1989.

- All rooms require an openable window, or equivalent, and some rooms will require a permanent vent as well.
- For room volumes up to 5m³ an air vent of 100cm² is required.
- If the room has a door that opens directly to the outside, or the room exceeds 10m³ NO AIR VENT is required.
- For room volumes between 5m³ and 10m³ an air vent of 50cm² is required.
- If there are other fuel burning appliances in the same room, BS 5440 : Part 2 : 1989 should be consulted to determine the air vent requirements.
- This appliance must not be installed in a bed sitting room of less than 20m³ or in a bathroom or shower room.

Warning: Good ventilation is essential to the continuing safe operation of all gas appliances. The design and location of purpose made ventilation openings should be such that the risk of them being obstructed, either accidentally or deliberately, is minimised.

Windows and permanent vents should therefore not be blocked or removed without first consulting a CORGI gas installer.

For installations in environments other than domestic dwellings - eg; caravans, boats and similar - refer to the relevant standards for information on ventilation and gas supply (or EN 721).

LP Gas only - Do not install this appliance in a room below ground level. This does not preclude installation into rooms which are basements with respect to one side of the building, but open to ground level on the opposite side.

Failure to install appliances correctly is dangerous and could lead to prosecution.

Outside the UK, refer to National regulations of the country of installation. In the Republic of Ireland, refer to relevant Irish Standards for correct ventilation.

Important

- Whilst every care is taken to eliminate burrs and raw edges from this product, please take care when handling - we recommend the use of protective gloves during installation.
- Do not allow the weight of the appliance to be carried on the fixing holes in the front frame.
- When installed into a housing unit, the false back should be removed from the housing unit to provide the necessary depth for installation.
- Ensure that no combustible material can come into contact with the base of the oven and burner box.
- Do not lift the appliance by the door handle.
- After installation, make sure the appliance is gas sound.
- When installed into a housing unit, the false back should be removed from the housing unit to provide the necessary depth for installation.
- Ensure that you route all electrical cables well clear of any adjacent heat source, such as an oven or grill.
- Ensure that the appliance housing and appliance are appropriately fixed before commissioning.
- **If a pan storage compartment is fitted underneath the appliance, make sure that no combustible material can come into contact with the underneath of the burner, by using a false back or guard. It must be possible to remove this guard to allow servicing.**
- To prevent adverse air pressure conditions affecting oven performance, it is important that the oven unit is built onto a self contained cabinet which is not connected to externally vented chambers in adjacent furniture, other than correctly sized gas dropouts.
- Holes for cables and pipework must be sized to minimise inter-compartmental leakage. The specific ventilation requirements in this instruction book must, however, continue to be maintained.

Cabinetry dimensions (See Figures 1, 2 & 9.)

Levelling - Place a spirit level of a baking sheet onto an oven shelf.

Cooker dimensions (See Figures 3, 4 & 5.)

All sizes are nominal, and some variation is to be expected. The 'depth' of the cooker, as given, is to the front of the fascia panel and excluding knobs and handles.

600DIS T1 (See Figure 3.) **Note:** **On the T1, always ensure that the underside of the appliance is protected by a shelf.** Ensure that this shelf is removable with the plinth for access to the gas connection. Leave gap from rear wall to shelf of 120mm. Leave at least 150mm void from shelf to floor underneath the appliance.

600DIS T2 (See Figure 4.)

600DIS/T T2 (See Figure 8.)

Clearance dimensions

- No full shelf or overhang of combustible material should be closer than 450mm or 600mm (when lid fitted) above the hotplate. Refer to Stoves for installation instructions for part shelves. **(See installation dimensions.)**
- A minimum distance of 70mm should be maintained between the hob and any side walls / combustible surface.
- Surfaces which are non-combustible or are protected with suitable non-combustible material may have reduced clearances. Refer to Stoves for guidance.
- For installations with a blind at the rear of the appliance, a minimum distance of 55mm should be maintained.
- When the appliance is not fitted with a lid, the installer must fit a heatshield made from a non-combustible material - to the rear wall.
- Leave a gap below the appliance, with a removable plinth to allow access to the gas connection.

The appliance is designed to fit between two units, slide the appliance in between the units, after ensuring the dimensions and patterns are fitted as the diagram. Secure the appliance through the holes in the side of the front frame.

Ventilation - A minimum ventilation gap of 20mm x 550mm should be made in the plinth immediately beneath the appliance for ventilation. Care should be taken that the underneath of the oven is not left exposed to accidental touching when this ventilation gap is incorporated.

Connect to the gas supply

Important:

- Ridged pipework must be used for this installation.
- The 10mm Bundy inlet connection is located at the base of the appliance. Other inlet sizes may be fitted at the customer's request or to suit the country of destination.

This appliance must be installed into a gas supply system. This ensures that the appliance input pressure can not fall from the nominal pressure by more than 1mbar (natural gas) or 2.5mbar (LPG).

All appliances connected to the same system are operated simultaneously.

Holes for cables and pipework must be sized to minimise inter compartmental air leakage. The specific ventilation requirements in this instruction book must however continue to be maintained.

Burner Verification - Once installed all burners must be checked to ensure the appliance is operating correctly.

- **Grill** - Following the user's instructions the burner should burn with a clear blue flame without sooting (propane), butane may have yellow tipping.
- **Oven** - The oven should also burn without sooting, although yellow tipping is likely when using butane.
- **Hob** - The burners should burn with a clear blue flame without sooting.

Connect to the electricity supply

1. This appliance is fitted with a plug suitable for the country of destination.
2. The plug must be positioned so it is accessible to the user.
3. The mains cable should be routed so that accidental contact with the rear of the grill or the oven cavity is impossible.

Commissioning

Burner aeration - All burners have fixed aeration and no adjustment is possible. The hotplate and grill burners should burn with a clear flame. The oven burner may have yellow tipping when in use on butane.

Pressure settings - Countries of destination; FR, GB, IE; G30 @ 28-30 mbar, G31 @ 37 mbar

Pressure settings - Countries of destination; GB, IE G20 @ 20 mbar

Conversion instructions

(GB) & (IE)

Natural Gas Conversion Instructions

The conversion must be conducted by an authorised engineer and in accordance with the regulations in force. Refer to Servicing Instructions for removal of parts.

For conversion kit, please contact 0151 432 7838.

SERVICING

1. Facia panel - **a.** Pull off control knobs to gain access to the 2 screws at each end of facia panel. **b.** Unscrew the screws and pull the facia panel forwards.

2. To remove glass lid (if fitted) - **a.** Remove appliance from housing. **b.** Raise the lid and remove springs from the lower fixing. **c.** Note the position of the hinge linkage and remove the springs from the top fixing. **d.** Pull out the retaining clips from the hinge pins and remove the spacing washer. **e.** Push out the hinge pin. **f.** The lid can now be lifted clear. **g.** Reassemble in the reverse order.

3. Remove hob top - **a.** Remove glass lid (2) if fitted. **b.** Remove 4 hotplate securing screws from the sides of the hotplate. Lift the hob top clear.

4. Hob electrodes - **a.** Remove pan supports, burner heads & burner caps & remove hob top (1, 2 & 3). **b.** Release the electrode securing clip and disconnect the electrode at the ignition generator.

5. To remove a hob tap - **a.** Remove facia panel & hob top (1 & 3). **b.** All the hob taps will be visible on the tap rail and can be removed by unscrewing the 2 securing screws, outlet connection and FSD connection. **c.** When refitting the tap ensure the screws are re-tightened evenly.

6. Hob injectors - **a.** Remove the pan supports & 4 burner caps and heads. The injectors are now accessible in the burner bowls.

7. Ignition switch - **a.** Remove facia panel (1). **b.** Disconnect the leads from the switch. **c.** Move the switch from side to side to release it from the tap rail bracket.

8. To remove the grill tap (if fitted) - **a.** Remove fascia panel & hob top (3). **b.** Disconnect the gas supply pipe from the rear of the tap. **c.** Unscrew the 2 securing screws and remove the tap from the rail. **d.** Check the condition of the seal and renew if necessary. After replacing the tap make sure the connections at both ends of the supply pipe are gas sound.

9. Grill burner, electrode and injector (if fitted) - **a.** Remove the screw from the LH end of the grill burner bracket. **b.** Remove the FSD thermocouple at the RH end of the burner and pull off the electrode lead. **c.** The grill injector is now accessible at the RH side of the grill cavity. **d.** Replace the grill injector sealing washer if necessary.

10. Thermostat / combined grill tap (if fitted) - **a.** Remove facia panel & hob top (1 & 3). **b.** Unclip the thermostat phial from the 2 clips at the front of the oven roof. **c.** Feed the capillary up through the hole in the oven roof and the spillage tray. **d.** Disconnect the gas supply pipes and FSDs from rear of thermostat. **e.** Unscrew the 2 fixing screws & remove the thermostat from the tap rail. **f.** Check condition of seal, & renew if necessary.

11. To remove gas shut off valve (if fitted) - **a.** From the rear of the cooker, remove the inlet & outlet connections. **b.** Remove the two screws securing the valve to the bracket. **c.** The valve can now be removed.

12. Thermal switch - **a.** Remove hob top (3). **b.** Disconnect leads from thermal switch. **c.** Remove 2 fixing screws that secure thermal switch. Remove the switch.

13. Cooling fan - **a.** Withdraw cooker from recess. **b.** Remove hob top (3).

c. Disconnect the fan terminals from the terminal block. **d.** Unscrew the 4 screws which locate the fan.

14. Oven burner / injector - **a.** From inside the oven, remove the oven burner shield by unscrewing the single screw in front of the shield, and lift off. **b.** Pull off the lead from the electrode at the left hand end of the burner. **c.** Unscrew the hexagon nut from the front of the burner. **d.** Ease forward off the locating screw, then slide to the left to clear the injector. **e.** Unscrew the injector. **f.** Replace the oven injector sealing washer if necessary.

15. Oven electrode - **a.** Remove the lead from the electrode. **b.** Unscrew the 2 screws from the electrode bracket using a No 1 stubby screwdriver.

16. Thermostat & grill bypass screws - **a.** remove facia panel **b.** The bypass screws are now accessible using a thin blade screwdriver and a pair of thin nose pliers. **c.** Unscrew existing bypass screws and replace as necessary.

Notice à conserver et à consulter avant toute utilisation et avant de procéder à tous travaux d'entretien.

INTRODUCTION

Les appareils de cuisson de la gamme Stoves sont vendus équipés ou non d'un dispositif d'allumage électrique.

Renseignements importants:

Cet appareil ménager doit être installé conformément aux réglementations et normes en vigueur et uniquement dans un lieu bien ventilé. Prière de lire les instructions avant de procéder à l'installation et avant toute utilisation de l'appareil.

Comme pour tous les appareils ménagers à gaz, nous vous recommandons d'entretenir régulièrement votre appareil.

Tous les travaux d'installation, d'entretien et de maintenance devront être effectués par des personnes compétentes et conformément aux normes et réglementations en vigueur et aux conditions imposées.

Ces instructions ne sont valides que si le symbole du pays apparaît sur l'appareil. Si le symbole n'apparaît pas sur l'appareil, il est nécessaire de consulter les instructions techniques qui fourniront toutes les informations nécessaires concernant la modification de l'appareil pour les conditions d'emploi du pays.

Ventilation - L'utilisation d'appareils gaz entraîne la production de chaleur dans le local à l'intérieur duquel l'appareil est installé. Prière de veiller à ce que la ventilation soit satisfaisante; maintenir les ouvertures de ventilation sans obstruction ou installer un dispositif de ventilation mécanique (hotte aspirante mécanique). Un usage intensif de longue durée de l'appareil peut nécessiter l'amélioration de la ventilation, par exemple par l'augmentation de capacité de la ventilation mécanique si la cuisine est équipée de ce dispositif.

Allumage des brûleurs - L'allumage ne doit pas être actionné pendant plus de 15 secondes. Si le brûleur n'est pas allumé au bout de 15 secondes, cessez toute action sur l'allumage, ouvrez la porte du compartiment et attendez au moins 1 minute avant d'essayer d'allumer le brûleur. En cas d'extinction accidentelle des flammes du brûleur, coupez l'alimentation du brûleur et attendez au moins 1 minute avant d'essayer de rallumer le brûleur.

Dispositif de sécurité de flamme - Le dispositif de sécurité de flamme (FSD) coupe l'alimentation de gaz lorsque la flamme s'éteint pour une raison quelconque.

Le ventilateur de refroidissement - Lorsque l'appareil est mis en service, vous entendrez le ventilateur de refroidissement se mettre en marche. Il refroidit le panneau et les boutons de commande pendant le fonctionnement du grill ou pendant la cuisson et continue à fonctionner pendant 15 minutes après l'arrêt de l'appareil. Ne pas utiliser l'appareil en cas de panne d'alimentation secteur ou de panne du ventilateur.

En cas de panne quelconque du ventilateur de refroidissement, l'appareil est équipé d'un interrupteur de sécurité qui coupera l'alimentation de gaz du brûleur du grill. Ce système élimine le risque de surchauffe de l'appareil en cas de panne du ventilateur. Dans ce cas, veuillez contacter le service d'assistance technique.

Si le panneau et les boutons de commande deviennent excessivement chauds, il se peut que le ventilateur ne fonctionne pas - veuillez contacter l'assistance technique.

MIEUX VAUT PREVENIR QUE GUERIR

Attention: lorsque vous utilisez votre appareil à gaz veillez à ne pas laisser les enfants s'en approcher.

- **Mise en garde** : Une bonne ventilation est essentielle au bon fonctionnement en toute sécurité de tous les appareils à gaz. Prenez soin de ne jamais bloquer accidentellement ou délibérément les ouvertures de ventilation.
- Ce produit est conçu comme un appareil de cuisson domestique et ne doit jamais être utilisé à d'autres fins.
- Tenir tous les matériaux inflammables (rideaux, mobilier, les torchons et le linge de table) éloignés de votre appareil.
- Les pièces de l'appareil peuvent être brûlantes pendant ou immédiatement après l'utilisation. Laissez l'appareil refroidir pendant un certain temps après avoir éteint les brûleurs.
- Ne pas laisser tomber les torchons sur les aérations pour éviter tout risque de mettre le feu.
- En ouvrant la porte de l'appareil veillez à éviter tout contact épidermique avec la vapeur susceptible de s'échapper de la cuisinière.
- Ne pas recouvrir le plat à griller d'une feuille d'aluminium ceci risquant de mettre le feu.
- Ne pas utiliser le four lorsque le panneau de verre intérieur de la porte a été retiré (portes de four en verre uniquement).
- Utiliser des gants de protection thermique pour retirer les ustensiles contenant des aliments chauds du four ou du grill. Le four/grill et ses ustensiles peuvent être brûlants pendant l'usage.
- Eviter de placer de la feuille d'aluminium sur les grilles du four ou d'obstruer la cheminée du four car cela peut présenter un risque de mettre le feu et gêner la circulation de l'air.
- Lorsque vous cuisinez des aliments de grande dimension comme les dindes, par exemple, ne pas tirer l'étagère du four avec les éléments à cuire encore posés dessus.
- Lorsque la cuisinière comporte un compartiment de stockage en-dessous du four ce compartiment ne doit être utilisé que pour stocker les accessoires du four. Ne pas conserver de matières inflammables dans ce compartiment.
- Lorsque vous cuisinez avec de la graisse ou de l'huile, nous vous recommandons de veiller en permanence au bon déroulement de la cuisson.
- Tourner les poignées de casseroles dans une position sûre pour qu'elles soient hors d'atteinte des enfants, ne dépassent pas de l'appareil et ne puissent pas être accrochées accidentellement.
- Utiliser des casseroles à fond plat stable à l'usage de diamètre minimal de 100mm et de diamètre maximal de 200mm, et éviter d'utiliser des vieilles casseroles ou des casseroles dangereuses ou toute casserole ayant une assise instable lorsqu'on la place sur une surface plate.
- Placer les casseroles au centre des brûleurs de manière à ce qu'elles reposent bien sur les supports. Les casseroles de faible diamètre peuvent s'avérer en équilibre instable lorsqu'on les utilise de manière excentrée.
- Les aides de cuisson à feu doux commerciaux ne doivent pas être utilisés car ils créent

des températures excessives pouvant endommager la surface et causer un risque.

- Ne jamais utiliser l'appareil comme appareil de chauffage.
- Lorsque le four est installé dans une caravane ou dans une autocaravane veiller à ce que les accessoires soient retirés et conservés bien emballés hors de l'appareil avant de tracter la caravane.
- Face à l'éventualité d'un débordement accidentel de graisse ou d'une quelconque matière brûlante, nous conseillons que la surface sous le four soit une matière incombustible adéquate.

Après avoir achevé vos travaux de cuisson vérifier que tous les boutons de commande sont en position '0'.

UTILISATION DE LA PLAQUE DE CUISSON

Allumage - Poussez le bouton de commande et tournez-le dans le sens inverse des aiguilles d'une montre jusqu'à la position 'maximum'. Tenez le bouton de commande enfoncé et appuyez sur le bouton d'allumage ou utilisez une allumette ou une mèche pour allumer le brûleur. Ne tenez pas le bouton de commande enfoncé pendant plus de 15 secondes. Si le brûleur n'est pas allumé au bout de 15 secondes, relâchez le bouton de commande et attendez au moins une minute avant d'essayer d'allumer de nouveau le brûleur. En cas d'extinction accidentelle des flammes du brûleur, coupez l'alimentation du brûleur et attendez au moins une minute avant d'essayer de rallumer le brûleur. Quelques secondes après l'établissement de la flamme, la soupape de sûreté s'ouvrira et le bouton de commande pourra être relâché. Tournez le bouton de commande à la position désirée.

Pour éteindre: Poussez le bouton de commande et tournez-le dans le sens des aiguilles d'une montre jusqu'à ce que le point du bouton se trouve en dessous du point du panneau.

Cuisson à feu doux - La position de cuisson à feu doux est indiquée par le symbole de petite flamme. Une fois allumé, tournez le bouton de commande voulu dans le sens inverse des aiguilles d'une montre au-delà du symbole de grande flamme (maximum) et jusqu'au symbole de petite flamme.

Attention: Lors de l'installation du support de casserole, vérifiez que les doigts sont correctement entrés par rapport aux brûleurs.

Toujours utiliser le brûleur de taille la mieux appropriée pour la casserole que vous avez l'intention d'utiliser. Utilisez des casseroles à fond plat de diamètre minimal de 100mm et d'utilisation stable. Eviter d'utiliser les vieilles casseroles ou les casseroles qui ont déjà provoqué des incidents.

UTILISATION DU GRIL

- **Remarque** : lorsqu'on utilise le grill la porte doit rester ouverte.
- Le ventilateur de refroidissement fonctionne quand la porte du grill est ouverte.
- **Attention** : lorsque le grill est en fonctionnement les parties accessibles peuvent être brûlantes. Il est par conséquent recommandé de ne pas laisser s'approcher les enfants.
- Ne jamais couvrir la grille ou plateau du grill de papier d'aluminium pour éviter tout danger de mettre le feu.
- Maintenir à l'écart de l'appareil toutes les matières inflammables.
- **Modèles à portes à double battants** - retirer l'écran thermique extensible à l'aide des poignées aux deux extrémités.

Pour allumer le grill - Ouvrez la porte du grill. Appuyez sur le bouton d'allumage, tournez le bouton de commande du grill à la position maximum et tenez-le enfoncé. Ne tenez pas le bouton de commande enfoncé pendant plus de 15 secondes. Si le brûleur n'est pas allumé au bout de 15 secondes, relâchez le bouton de commande et attendez au moins une minute avant d'essayer d'allumer de nouveau le brûleur. Quelques secondes après l'établissement de la flamme, la soupape de sûreté s'ouvrira et le bouton de commande pourra être relâché. Tournez le bouton de commande à la position désirée.

La flamme du grill peut être légèrement réduite en tournant le bouton dans le sens inverse des aiguilles d'une montre au-delà du symbole de grande flamme (maximum) vers le symbole de petite flamme lorsqu'une cuisson plus lente est requise.

En cas d'extinction accidentelle des flammes du brûleur, coupez l'alimentation du brûleur et attendez au moins une minute avant d'essayer de rallumer le brûleur.

Pour éteindre: Poussez le bouton de commande et tournez-le dans le sens des aiguilles d'une montre jusqu'à ce que le point du bouton se trouve en dessous du point du panneau.

Poignée détachable du set à griller - Placez la poignée sur le bord du plateau de grill. La poignée doit être retirée du plateau pendant la cuisson de manière à éviter toute surchauffe. La poignée est conçue pour retirer / mettre le plateau sous le grill pendant la cuisson. Si vous désirez nettoyer le plateau de grill lorsqu'il est chaud, utilisez une manique pour le saisir. N'utilisez jamais la poignée pour verser des matières grasses chaudes du plateau de grill.

Toujours chauffer préalablement le grill pendant 3 minutes pour obtenir les meilleurs résultats. **Après utilisation du grill vérifier que le bouton de commande est en position '0'.**

UTILISATION DU FOUR

- **Attention:** lorsque vous utilisez votre appareil empêcher les enfants de s'approcher du four.
- Ne pas mettre de feuille d'aluminium sur les grilles du four, étant donné que ceci risque de mettre le feu et peut empêcher la circulation de la chaleur.
- Maintenir toutes les matières inflammables éloignées de l'appareil.

Allumage du four

Ouvrez la porte du four, poussez le bouton de commande et tournez-le dans le sens inverse des aiguilles d'une montre jusqu'à la position 'maximum'. Tenez le bouton de commande enfoncé et appuyez sur le bouton d'allumage ou utilisez une allumette ou une mèche pour allumer le brûleur. Ne tenez pas le bouton de commande enfoncé pendant plus de 15 secondes. Si le brûleur n'est pas allumé au bout de 15 secondes, relâchez le bouton de commande et attendez au moins une minute avant d'essayer d'allumer de nouveau le brûleur.

En cas d'extinction accidentelle des flammes du brûleur, coupez l'alimentation du brûleur et attendez au moins une minute avant d'essayer de rallumer le brûleur. Quelques secondes après l'établissement de la flamme, la soupape de sûreté s'ouvrira et le bouton de commande pourra être relâché. Tournez le bouton de commande à la position désirée.

Pour éteindre: Poussez le bouton de commande et tournez-le dans le sens des aiguilles d'une montre jusqu'à ce que le point du bouton se trouve en dessous du point du panneau.

Préchauffage - Il est nécessaire de chauffer préalablement le four pendant 10 minutes pour réchauffer des aliments congelés. Nous recommandons de chauffer pré-

alablement le four pour tous les mélanges de levure, les pâtes à frire ou les pâtes lisses, les soufflés et les pâtisseries genre gâteau de Savoie. Sans chauffage préalable du four il est probablement nécessaire de rallonger les temps de cuisson indiqués dans la table de cuisson qui suit car ils ont été établis avec un four chauffé préalablement.

Cuisson au four position 5		Temps approximatif de cuisson
Boeuf	saignant	15 min. par livre
	moyen	20 min. par livre
	bien cuit	25 min. par livre
Agneau	moyen	20 min. par livre
	bien cuit	25 min. par livre
Porc		30 min. par livre
Volailles		25 min. par livre

NETTOYAGE

Attention: tout agent de nettoyage utilisé incorrectement est susceptible de détériorer l'appareil.

N'utiliser aucune pâte caustique ou abrasive, aucune poudre de nettoyage, ni tampon à récurer en paille ou en laine de fer et aucun outil dur car ils détériorent les surfaces. Toutes les parties de l'appareil peuvent être nettoyées en toute sécurité avec un chiffon trempé dans l'eau savonneuse et essoré.

Couelles et chapeaux de brûleurs Important: attendre que les brûleurs aient refroidi avant de les nettoyer. **Attention:** les brûleurs de plaques peuvent être endommagés par le trempage, le lavage en machine (ou par les poudres ou liquides employés), les pâtes caustiques, les outils durs, les pailles ou laines de fer grossières et les pâtes de nettoyage abrasives. Pour que les brûleurs puissent fonctionner en toute sécurité les rainures des têtes de brûleurs - c'est-à-dire l'endroit où les flammes sont canalisées - ne doivent retenir le moindre dépôt. Nettoyer à la brosse de nylon, rincer et sécher complètement. Nettoyer avec une crème de nettoyage douce ou utiliser un tampon savonneux humide. **Brûleurs fixes** (si installés) - certaines versions de la cuisinière Stoves Newhome sont composées de brûleurs fixes. Ces brûleurs sont fixés dans la plaque de cuisson à l'aide de 2 vis. Les brûleurs fixes doivent être nettoyés tout en étant maintenus en place. S'assurer qu'une accumulation de graisse n'obstrue pas l'orifice de passage du gaz entre le brûleur et la plaque chauffante.

Parties en verre (si installés) - PORTES, PANNEAU DE COMMANDES (EN VERRE), COUVERCLE DE PLAQUE DE CUISSON, PLAQUE DE RÉCHAUFFAGE. Ne pas utiliser de produits de nettoyage ou de polissage abrasifs. Rincer complètement et sécher avec un chiffon doux. PLAQUE DE RÉCHAUFFAGE - attendre qu'elle refroidisse avant de la nettoyer. Le panneau de verre intérieur de la porte peut être retiré pour le nettoyer, ouvrir la porte en grand, tenir le bord supérieur et le bord inférieur et faire glisser. Lors de la remise en place du panneau de verre le tenir horizontal et aligné avec les rainures des montants latéraux de la porte avant de le remettre en place en le faisant glisser.

Parties peintes, en plastique et dorées MONTANTS ET POIGNÉES DE PORTE, PANNEAU DE COMMANDES (EN MÉTAL), BOUTONS DE COMMANDE. N'utiliser qu'un chiffon trempé dans l'eau savonneuse chaude et essoré.

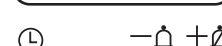
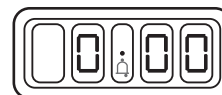
Pièces en émail vitrifié SET À GRILLER, DÉFLECTEUR, FOUR / COMPARTIMENT GRIL, DESSUS ET GRILLES DE LA PLAQUE DE CUISSON. Utiliser une crème de nettoyage douce.

Parties chromées GRILLE DE GRIL, GRILLES & SUPPORTS À GRADINS. Ne pas utiliser d'abrasifs ou de produits de polissage. Utiliser un tampon savonneux humide. Les gradins peuvent être retirés pour les nettoyer. Faire glisser hors des trous de suspension.

Surfaces en acier inoxydable (modèles en acier inoxydable seulement) Utilisez seulement un chiffon propre trempé dans de l'eau chaude savonneuse et tordu, puis essuyez avec un chiffon doux sec. N'utilisez pas de l'eau de Javel diluée ou tout autre produit contenant des chlorures qui pourraient endommager l'acier de façon permanente. Certains produits alimentaires sont corrosifs, par exemple, le vinaigre, les jus de fruit et le sel, et peuvent marquer ou endommager l'acier inoxydable lorsqu'ils sont laissés sur la surface pendant un certain temps. Essayez immédiatement tout déversement. Les objets peuvent marquer la surface de l'acier inoxydable, mais ces rayures sont moins notables dans le temps.

UTILISATION DE LA MINUTERIE

Affichage initial



BOUTON HEURE BOUTON MOINS BOUTON PLUS

La minuterie numérique vous permet de régler l'heure (format 24 heures) et l'alarme des minutes.

Réglage de l'heure

1. Mettez l'alimentation électrique du four en service. L'affichage clignote.
 2. Appuyez et relâchez le bouton Heure.
 3. Réglez l'heure à l'aide des boutons Plus et Moins.
 4. L'heure sera réglée 7 secondes après le dernier appui sur le bouton Plus ou Moins.
- Tonalités d'alarme
Lorsque l'heure est réglée, vous pouvez choisir une des trois tonalités d'alarme.

Appuyez sur le bouton Moins pour écouter la première tonalité, puis relâchez et appuyez de nouveau sur le bouton Moins pour écouter la seconde tonalité, etc.

Le relâchement du bouton à la suite de l'écoute d'une tonalité sélectionnera automatiquement cette tonalité.

- Vérifiez que le placard et l'appareil sont correctement fixés avant de mettre l'appareil en service.
- Si un compartiment de rangement de casseroles est installé en dessous de l'appareil, vérifiez qu'aucun matériau combustible ne peut entrer en contact avec le dessous du brûleur, en prévoyant une fousse plaque de protection. Cette plaque doit pouvoir être déposée pour permettre l'entretien.
- Pour éviter que des conditions adverses affectent les performances du four, il est important d'incorporer le four dans une armoire autonome non connectée à des chambres mises à l'air libre extérieur dans des meubles adjacents autres que des ouvertures de gaz correctement dimensionnées.
- Les trous de passage des câbles et des tuyauteries doivent être dimensionnés de manière à minimiser les fuites d'air entre les compartiments. Cependant, les exigences particulières de ventilation de ce livret d'instructions doivent continuer à être observées. Toute plinthe montée directement en dessous de l'appareil doit être amovible pour permettre l'entretien.

Dimensions du placard (Figures 1 & 2)

Mise à niveau – Placez un niveau à bulle sur une plaque de cuisson sur le rayon du four.

Dimensions de la cuisinière (Figure 3) – Toutes les dimensions sont nominales et certaines variations sont à prévoir. La "profondeur" de la cuisinière telle qu'indiquée est mesurée sur l'avant du panneau mais sans les boutons et les poignées.

Dimensions de dégagement

- Aucune étagère élément suspendu en matériau combustible ne doit se trouver à moins de 450mm ou à moins de 600mm (lorsque l'appareil est équipé d'un couvercle) au-dessus du plan de travail.
- Une distance minimum de 40mm doit être maintenue entre la table de cuisson et le mur / surface combustible arrière.
- Une distance minimum de 70mm doit être maintenue entre la table de cuisson et tout mur / surface combustible latéral.
- Des espaces réduits peuvent être prévus dans le cas de surfaces non combustibles ou de surfaces protégées par un matériau non combustible approprié. Consultez Stoves pour de plus amples conseils.
- Une distance minimum de 55mm doit être prévue à l'arrière de l'appareil pour les installations équipées d'un store.
- Surplomb maximum du plan de travail.
- Lorsqu'un appareil n'est pas équipé d'un couvercle, l'installateur doit prévoir un écran thermique – en matériau non combustible – sur le mur arrière.
- Prévoyez un espace en dessous de l'appareil, avec une plinthe amovible pour donner accès à la connexion du gaz.

L'appareil est conçu pour être installé entre deux placards. Poussez l'appareil entre les placards après avoir vérifié les dimensions et installé des lattes comme indiqué sur le schéma. Fixez l'appareil par les trous sur le côté du cadre avant.

Ventilation – Une ouverture de ventilation minimum de 20mm x 550mm doit être réalisée dans la plinthe juste en dessous de l'appareil. Vérifiez que le dessous du four ne peut pas être accidentellement touché lorsque cet espace de ventilation est incorporé.

Branchement gaz

Important : Des tuyauteries rigides doivent être prévues pour cette installation.

Le raccord d'alimentation de 10mm est situé à la base de l'appareil. Des raccords de taille différente peuvent être installés à la demande du client ou pour convenir au pays de destination.

Cet appareil doit être connecté à un système d'alimentation de gaz. Ceci garantit que la pression d'alimentation de l'appareil ne peut pas baisser de plus de 1mbar (gaz naturel) ou 2,5mbar (GPL) par rapport à la pression nominale.

Tous les appareils connectés au même circuit sont opérés simultanément.

Les trous de passage des câbles et des tuyauteries doivent être dimensionnés de manière à minimiser les fuites d'air entre les compartiments. Cependant, les exigences particulières de ventilation de ce livret d'instructions doivent continuer à être observées.

Vérification des brûleurs – Une fois installés, tous les brûleurs doivent être vérifiés pour s'assurer que l'appareil fonctionne correctement. • **Grill** – Lorsque le mode d'emploi est observé, les brûleurs doivent produire une flamme bleue claire sans formation de suie (propane), le butane peut avoir une pointe jaune. • **Four** – Le brûleur du four doit toujours brûler sans former de suie, bien qu'une pointe de flamme jaune est probable lorsque le butane est utilisé. • **Plaque de cuisson** – Les brûleurs doivent produire une flamme bleue claire sans formation de suie.

Branchement électrique

1. Cet appareil est équipé d'une prise convenant au pays de destination.
2. La prise doit être positionnée de manière à être accessible à l'utilisateur.
3. Le câble secteur doit être acheminé de manière à ce que tout contact accidentel avec l'arrière de la cavité du grill ou du four soit impossible.

Mise en service

Aération des brûleurs – Tous les brûleurs ont une aération fixe et aucun réglage n'est possible. Les brûleurs de la plaque de cuisson et du grill doivent produire une flamme claire. Le brûleur du four peut produire une flamme à pointe jaune dans le cas du butane.

Réglage de pression – Pays de destination; BE, ES, FR, GB, IE, PT; G30 @ 28-30 mbar, G31 @ 37 mbar

Réglage de pression – Pays de destination; DK, GR, NL; G30/G31 @ 28-30 mbar

Réglage de pression – Pays de destination; DK, ES, GB, GR, IE, IT, PT, G20 @ 20 mbar

ENTRETIEN

Avant tout entretien: Débrancher les appareils à gaz et les appareils électriques. **Après tout entretien**: Vérifier l'étanchéité au gaz. **Tout travail d'entretien doit être effectué par une personne compétente et autorisée.**

1. **Panneau de commande** – a. Retirez les boutons de commande pour donner accès aux 2 vis à chaque extrémité du panneau de commande. b. Dévissez les vis et tirez le panneau vers l'avant.
2. **Déposez le dessus de la plaque de cuisson** – a. Remove pan supports and burner heads. b. Remove the 4 hotplate securing screws from the sides of the hotplate, & lift the hob top clear.
3. **Electrodes de la plaque de cuisson** – a. Déposez les supports de casserole, les têtes et capuchons des brûleurs, et déposez le dessus de la plaque de cuisson (1, 2 & 3). b. Déposez le clip de fixation de l'électrode et débranchez l'électrode au générateur

d'allumage.

4. Pour déposer un robinet de la plaque de cuisson – a. Dévisser la vis de fixation. Déposer le panneau de commande et le dessus de la plaque de cuisson (1 & 3). b. Tous les robinets seront visibles sur le rail et peuvent être déposés en dévissant les 2 vis de fixation, le raccord de sortie et le raccord DSF. c. Lors du remontage du robinet, vérifiez que les vis sont bien serrées uniformément. ou Certains modèles sont équipés de tubes en caoutchouc et de raccords DSF à pousser sur les commandes. Dans ce cas, procédez comme suit : a. Déposez la plaque de cuisson (2). b. Retirez la connexion de thermocouple du robinet. c. Déposez les 2 vis fixant la commande sur le rail de robinet. d. Retirez la commande du rail et la tirez vers l'avant pour la retirer du tube en caoutchouc. e. L'extrémité commande du tube en caoutchouc doit être équipé d'un joint torique. S'il ne se trouve pas à l'extrémité du tube il sera trouvé à l'intérieur du raccord de la commande. Retirez le joint torique et montez-le dans le tube, en le remplaçant si nécessaire.

5. Injecteurs de plaque de cuisson – a. Déposez les supports de casserole et les 4 capuchons et têtes de brûleur. Les injecteurs sont maintenant accessible dans le corps des brûleurs.

6. Commutateur d'allumage – a. Déposez le panneau de commande et le dessus de la plaque de cuisson (1). b. Débranchez les conducteurs de l'interrupteur. c. Basculez l'interrupteur d'un côté à l'autre pour le libérer du support de rail de robinet.

7. Pour déposer le robinet du grill (si installé) – a. Déposez le panneau de commande et le dessus de la plaque de cuisson (3). b. Débranchez le tuyau d'alimentation de gaz à l'arrière du robinet. c. Dévissez les 2 vis de fixation et déposez le robinet du rail. d. Vérifiez l'état du joint et remplacez-le si nécessaire. Après le remontage du robinet, vérifiez que les connexions aux deux extrémités du tuyau d'alimentation sont bien étanchées au gaz.

8. Brûleur de grill, électrode et injecteur (si installés) – a. Déposez la vis du côté gauche du support du brûleur de grill. b. Déposez le thermocouple DSF à droite du brûleur et retirez le conducteur de l'électrode. c. L'injecteur du grill est maintenant accessible sur le côté droit de la cavité du grill. d. Remplacez la rondelle d'étanchéité de l'injecteur du grill si nécessaire.

9. Thermostat / robinet combiné de grill (si installé) – a. Déposez le panneau de commande et le dessus de la plaque de cuisson (1 & 3). b. Détachez la boule du thermostat des 2 attaches à l'avant du toit du four. c. Enfilez le tube capillaire dans le trou du toit du four et le plateau de récupération. d. Débranchez les tuyaux d'alimentation de gaz et les DSF de l'arrière du thermostat. e. Dévissez les 2 vis de fixation et déposez le thermostat du rail de robinet. f. Vérifiez l'état du joint et remplacez-le si nécessaire.

10. Interrupteur thermique – a. Déposez le dessus de la plaque de cuisson (3). b. Débranchez les conducteurs de l'interrupteur thermique. c. Déposez les 2 vis de fixation de l'interrupteur thermique. Déposez l'interrupteur.

11. Ventilateur de refroidissement – a. Retirez la cuisinière de son encastrement. b. Déposez le dessus de la plaque de cuisson (3). c. Débranchez les bornes du ventilateur. e. Dévissez les 4 vis de fixation du ventilateur.

12. Brûleur / injecteur du four – a. A l'intérieur du four, déposez l'écran du brûleur en dévissant la seule vis sur le devant de l'écran et en le soulevant. b. Débranchez le conducteur de l'électrode à gauche du brûleur. c. Dévissez l'écran hexagonal à l'avant du brûleur. d. Tirez la vis vers l'avant puis glissez-la à gauche pour dégager l'injecteur. e. Dévissez l'injecteur. f. Remplacez la rondelle d'étanchéité de l'injecteur si nécessaire.

13. Electrode du four – a. Débranchez le conducteur de l'électrode. b. Dévissez les 2 vis du support de l'électrode à l'aide d'un tournevis court No. 1.

FRENCH INSTALLATION

Important : Cet appareil ne doit être installé que conformément aux réglementations en vigueur et seulement dans un endroit bien aéré. Lire les instructions avant d'installer ou d'utiliser cet appareil.

Normes et réglementations – Cet appareil doit être installé conformément aux réglementations en vigueur dans le pays où l'appareil est installé. Tous les appareils à gaz doivent être installés et entretenus par des personnes compétentes.

Mise en garde : Une bonne ventilation est essentielle au bon fonctionnement en toute sécurité de tous les appareils à gaz. Les ouvertures de ventilation spéciales doivent être conçues et positionnées de manière à minimiser la possibilité de blocage, accidentel ou délibéré.

Important:

- Bien que tous les soins nécessaires aient été pris pour éliminer les bavures et les arêtes vives sur ce produit, nous recommandons le port de gants de protection pour la manipulation pendant l'installation.
- Le poids de l'appareil ne doit pas être supporté par les trous de fixation du cadre avant.
- Lorsque l'appareil est installé dans un placard, le faux panneau arrière du placard doit être déposé afin d'obtenir la profondeur d'installation nécessaire.
- Vérifiez qu'aucun matériau combustible n'entre en contact avec la base du four et le boîtier du brûleur.
- Ne pas lever l'appareil par la poignée de porte.
- Après installation, veiller à ce que l'appareil soit parfaitement étanche au gaz.
- Lorsque l'appareil doit être installé dans un ensemble encastrement le faux panneau arrière doit être retiré du logement pour donner la profondeur nécessaire à l'installation.
- **Important:** Veiller à faire passer tous les câbles électriques et les tuyauteries flexibles bien à l'écart de toute source adjacente de chaleur, comme un four ou un grill par exemple.

ITALIANO

Si prega di conservare questo manuale per futuro riferimento durante la manutenzione e per chiunque possa usare in seguito la cucina.

INTRODUZIONE

La gamma di cucine a gas "Stoves Newhome" è disponibile con e senza il dispositivo di accensione.

Importante: • Questa cucina a gas deve essere installata solo in osservanza dei vigenti regolamenti e in un luogo ben ventilato. Leggere attentamente le istruzioni prima di installare o utilizzare la cucina. • Come per tutte le apparecchiature a gas, si raccomanda

di fare sottoporre la cucina a regolare manutenzione. • Tutto il lavoro di installazione, riparazione e manutenzione deve essere eseguito da persona competente e osservando tutti i vigenti regolamenti, normative e requisiti. • Queste istruzioni sono da ritenersi valide esclusivamente se sull'apparecchiatura è presente il simbolo della nazione. Se il simbolo non è presente sull'apparecchiatura, è necessario consultare le istruzioni tecniche che forniscono le informazioni necessarie relative alle modifiche dell'apparecchiatura in base alle condizioni d'uso della nazione specifica.

Ventilazione – Durante il normale utilizzo le apparecchiature a gas producono calore e vapore acqueo nella stanza in cui sono installate. Assicurarsi che la cucina in cui è installata questa apparecchiatura sia ben ventilata; tenere le normali aperture di ventilazione aperte o installare un dispositivo di ventilazione (capa di aspirazione). Un uso intenso e prolungato della cucina a gas può richiedere una maggiore e più efficace ventilazione, migliorando ad esempio l'efficienza dell'esistente sistema di ventilazione.

Accensione bruciatore – L'accensione non deve essere messa in funzione per più di 15 secondi. Se, dopo 15 secondi, il bruciatore non si è acceso, cessare l'utilizzo dell'accensione, aprire lo sportello del vano ed attendere almeno 15 secondi prima di ritentare ad accendere il bruciatore. Se le fiamme del bruciatore si spengono accidentalmente, chiudere il controllo del bruciatore ed attendere un minuto prima di riaccenderlo.

Dispositivo di sicurezza – Il dispositivo antincendio (FSD) arresta l'alimentazione a gas se la fiamma si spegne per qualche motivo.

Ventilatore di raffreddamento – È possibile sentire il rumore della ventola di raffreddamento quando l'apparecchiatura è accesa. In questo modo, le manopole di regolazione e il pannello anteriore vengono mantenute freddi durante l'utilizzo del grill e la cottura, continuando a funzionare per 15 minuti dopo lo spegnimento dell'apparecchiatura. In caso di guasto all'alimentazione elettrica o di guasto della ventola, non utilizzare l'apparecchiatura. In caso di guasto della ventola di raffreddamento, l'apparecchiatura è dotata di un interruttore di sicurezza che blocca l'arrivo del gas al bruciatore del grill. In questo modo si eviterà un surriscaldamento dell'apparecchiatura in caso di guasto della ventola; in questo caso contattare l'assistenza tecnica. Se le manopole dei rubinetti e il pannello si surriscaldano, è possibile che la ventola non sia in funzione; in tal caso contattare l'assistenza clienti.

SICUREZZA INNANZI TUTTO

Attenzione: tenere i bambini lontani dalla cucina a gas quando è accesa.

- Attenzione: Una buona ventilazione è essenziale per il funzionamento di tutte le apparecchiature a gas in condizioni di sicurezza. Evitare assolutamente l'ostruzione accidentale o intenzionale di qualsiasi apertura di ventilazione.
- Questo prodotto è destinato all'utilizzo come cucina domestica, e non deve essere impiegato per altri scopi.
- Tenere tutti i materiali infiammabili (come tende, arredamenti, strofinacci per asciugare e vestiti) lontani dalla cucina a gas.
- Durante e subito dopo l'uso della cucina alcune sue parti possono essere calde. Dopo averla spenta, lasciare trascorrere tempo sufficiente affinché la cucina si raffreddi.
- Non avvolgere strofinacci per asciugare sulle fenditure di ventilazione, poiché ciò creerebbe un rischio di incendio.
- Nell'aprire lo sportello del forno, fare attenzione per evitare che la pelle venga a contatto con il vapore che può essersi prodotto durante la cottura.
- Non usare foglio di alluminio per coprire la teglia del grill e non porre sotto il grill cibi avvolti nel foglio di alluminio, poiché ciò potrebbe creare un rischio di incendio.
- Non usare il forno dopo avere rimosso il vetro interno dello sportello (solo se lo sportello del forno è di vetro).
- Usare quanti di protezione per togliere dal forno o dal grill utensili o cibi caldi. Durante l'uso il forno, il grill e gli utensili diventano molto caldi.
- Non rivestire i ripiani del forno con foglio di alluminio e non permettere che blocchi le fenditure di ventilazione poiché questo, impedendo la circolazione dell'aria, creerebbe un rischio di incendio.
- Quando si cuociono cibi molto grandi come un tacchino intero, non estrarre il ripiano dal forno con ancora sopra il cibo.
- Se la cucina a gas sotto il forno uno scomparto di ripostiglio, usarlo soltanto per riporre gli accessori. Non tenere materiali infiammabili in questo scomparto.
- Quando si cuociono cibi con lardo o olio, non lasciare mai la cucina incustodita.
- Ruotare le impugnature della teglia in una posizione di sicurezza, in modo che siano fuori dalla portata dei bambini, non sporgano dall'apparecchiatura e non possano essere toccate accidentalmente.
- Usare pentole a base piana con un diametro minimo di 10cm e massimo di 20cm e stabili durante l'uso; evitare di usare pentole vecchie e sformate o che sono instabili se poste su una superficie piana.
- Collocare le teglie al centro dei bruciatori, facendole poggiare sui relativi supporti; quelle più piccole, se poste fuori centro, possono essere instabili.
- Se sotto l'apparecchiatura è stato ricavato un comparto per contenere delle pentole, verificare che il materiale combustibile non possa in alcun modo entrare in contatto con la parte inferiore del bruciatore, tramite un paraflamma posteriore. Tale paraflamma deve essere rimosso per permettere la manutenzione.
- Il coperchio di vetro può incrinarsi se riscaldato eccessivamente; spegnere tutti i fornelli prima di chiudere il coperchio.
- Non usare mai la cucina per riscaldare la stanza.
- Se il piano di cottura viene installato in una roulotte o in un camper, assicurarsi di avere messo via in maniera sicura la teglia del grill prima di muoversi.
- **Modelli senza pulsante di accensione:** per motivi di sicurezza, raccomandiamo di usare un accenditubo o scintilla o un accendigas a mano per accendere il bruciatore, invece di un fiammiferio o di un accenditubo che potrebbero lasciar cadere detriti dietro la cucina a gas.
- Come precauzione in caso di versamento accidentale di olio, grasso od altro materiale in fiamme, si raccomanda di rivestire l'area sotto la cucina con del materiale non combustibile adatto.

Alla fine della cottura, controllare che tutte le manopole di comando siano nella posizione spenta (OFF).

IL PIANO DI COTTURA

Accensione - Premere la manopola di regolazione e girare in senso antiorario sulla posizione massima. Tenere premuta la manopola di controllo e premere il pulsante di accensione o accostare un fiammifero acceso o una candela al bruciatore.

Non tenere premuta la manopola di regolazione per più di 15 secondi. Se trascorsi 15 secondi il bruciatore non si è acceso, rilasciare la manopola di regolazione e attendere almeno un minuto prima di un altro tentativo di accensione.

Qualora le fiamme del bruciatore si spengano accidentalmente, chiudere il rubinetto del bruciatore e non tentare di riaccenderlo per almeno un minuto.

Dopo alcuni secondi dall'accensione, si azionerà la valvola di sicurezza e sarà quindi possibile rilasciare la manopola di regolazione.

Ruotare la manopola di regolazione sulla posizione desiderata.

Per spegnere, premere la manopola di regolazione e girare in senso orario fino a che il puntino sulla manopola non sia in corrispondenza del puntino sul pannello frontale.

Per la cottura a fuoco lento - Questa posizione è contrassegnata dal simbolo con la fiamma piccola. Una volta accesa la fiamma, ruotare la manopola di regolazione selezionata in senso antiorario verso il simbolo della fiamma grossa (massima potenza), fermandosi sul simbolo con la fiamma piccola.

Importante: Pulire immediatamente in caso di rovesciamento di liquidi, onde prevenire la penetrazione degli stessi nell'apparecchio.

Quando si posiziona il supporto della teglia, fare in modo che i nottolini siano centrati rispetto ai bruciatori. Usare sempre il fornello della dimensione più giusta per la pentola usata. Usare pentole a base piana con un diametro minimo di 10cm e massimo di 20cm e stabili durante l'uso; evitare di usare pentole vecchie e sfornate o che possono essere instabili.

IL GRILL

- **Nota:** quando viene usato il grill lo sportello deve essere tenuto aperto.
- La ventola di raffreddamento entra in funzione quando si apre lo sportello del grill.
- **Attenzione:** quando viene usato il grill, le parti accessibili possono essere calde; tenere lontani i bambini piccoli.
- Non coprire mai la teglia o la griglia del grill con foglio di alluminio e non permettere che vi si accumulino il grasso, poiché questo creerebbe un rischio di incendio.
- Tenere tutti i materiali infiammabili lontani dalla cucina.

Come accendere il grill - Aprire la porta del grill. Premere il pulsante di accensione, portare la manopola di regolazione del grill alla posizione massima e tenerla su questa posizione.

Non tenere premuta la manopola di regolazione per più di 15 secondi. Se dopo 15 secondi il bruciatore non si è acceso, rilasciare la manopola di regolazione e attendere almeno un minuto prima di un altro tentativo di accensione.

Dopo alcuni secondi dall'accensione, entrerà in funzione la valvola di sicurezza e sarà quindi possibile rilasciare la manopola di regolazione. Ruotare la manopola di regolazione sulla posizione desiderata.

Il grill può essere regolato su una posizione leggermente inferiore, ruotando la manopola in senso antiorario, dopo il simbolo con la fiamma grossa (potenza massima), sul simbolo con la fiamma piccola per una cottura a fuoco lento.

Per spegnere, premere la manopola di regolazione e girare fino a che il puntino sulla manopola sia al di sotto del puntino sul pannello a frontale.

Nel caso in cui le fiamme del bruciatore si spengano accidentalmente, chiudere il rubinetto del bruciatore e non tentare di riaccenderlo per almeno un minuto.

Manico rimovibile della teglia del grill (se fornito) - Porre il manico (con lo schermo in alto) sul bordo della teglia del grill dove c'è un recesso e farlo scivolare fino a raggiungere la posizione centrale fra le due sporgenze di posizionamento. Per rimuovere il manico, mettere giù la teglia del grill e sollevarlo leggermente mentre viene fatto scivolare lungo il recesso.

Per ottenere i migliori risultati, preriscaldare sempre il grill per 3 minuti. **Quando si è finito di usare il grill, controllare che la manopola di comando sia nella posizione spenta (OFF).**

IL FORNO

- **Attenzione:** tenere i bambini lontani dalla cucina a gas quando viene usata.
- Non coprire i ripiani del forno con foglio di alluminio dato che questo creerebbe un rischio di incendio e può ostacolare la circolazione dell'aria calda.
- Tenere lontano dalla cucina a gas tutti i materiali infiammabili.

Come accendere il forno - Aprire lo sportello del forno, spingere e ruotare la manopola di regolazione del forno in senso antiorario sulla posizione massima. Tenere premuta la manopola di regolazione e premere il pulsante di accensione o accostare un fiammifero acceso o una candela al fornello. Non tenere premuta la manopola di regolazione per più di 15 secondi. Se dopo 15 secondi il bruciatore non si è acceso, rilasciare la manopola di regolazione e attendere almeno un minuto prima di un altro tentativo di accensione. Nel caso in cui le fiamme del bruciatore si spengano accidentalmente, chiudere il rubinetto del bruciatore e non tentare di riaccenderlo per almeno un minuto. Dopo alcuni secondi dall'accensione, si azionerà la valvola di sicurezza e sarà quindi possibile rilasciare la manopola di regolazione. Ruotare la manopola di regolazione sulla posizione desiderata. Per spegnere, premere la manopola di regolazione e girare in senso orario fino a che il puntino sulla manopola sia al di sotto del puntino sul pannello frontale.

Guida per gli arrostiti En el horno a la escala 5 de gas	Tempo aprox. de asado (con horno precalentado)
Vaca poco hecho más bien poco hecho bien hecho	20 minutos por cada 450g + 20 minutos 25 minutos por cada 450g + 25 minutos 30 minutos por cada 450g + 30 minutos
Cordero más bien poco hecho bien hecho	25 minutos por cada 450g + 25 minutos 30 minutos por cada 450g + 30 minutos
Carne de cerdo	20 minutos por cada 450g + 20 minutos
Aves	20 minutos por cada 450g + 20 minutos

PULIZIA

Attenzione: usando detersivi non adatti si può danneggiare la finitura della

cucina a gas. **Lasciare raffreddare sempre la cucina prima di pulirla.** Non usare creme caustiche, detersivi abrasivi in polvere, lana di vetro ruvida o utensili duri, poiché danneggerebbero le superfici della cucina. Tutte le parti della cucina possono essere pulite con sicurezza usando un panno immerso in acqua saponata tiepida e strizzato bene.

Calata e testa dei fornelli **Importante:** lasciare che i fornelli si raffreddino prima di pulirli. **Attenzione:** i fornelli del piano di cottura possono danneggiarsi se sono immersi nell'acqua, posti nella lavastoviglie (o usando sapone/liquido per lavastoviglie), puliti con creme caustiche, oggetti duri, lana di acciaio ruvida e detersivi abrasivi in polvere. Affinché i fornelli possano funzionare in maniera sicura, le fenditure della testa dei bruciatori devono rimanere libere da depositi. Pulire con uno spazzolino di nylon, risciacquando e asciugando poi bene. Pulire i fornelli usando una crema detergente ad azione delicata o usando un tampone insaponato inumidito. **Nota:** Bruciatori fissi (se montati): Alcune versioni comprendono dei bruciatori fissi. Tali bruciatori sono fissati al piano di cottura con 2 viti. I bruciatori fissi devono essere puliti in posizione. Verificare che la luce tra il bruciatore ed il piano di cottura non venga ostruita dal grasso.

Parti di vetro (se montata) **PANNELLI DEGLI SPORTELLI, PANNELLO DI COMANDO** Non usare detersivi o polish abrasivi. Usare una crema detergente ad azione delicata. Risciacquare a fondo e asciugare con un panno soffice. Il pannello interno di vetro dello sportello può essere rimosso per pulirlo: aprire completamente lo sportello, afferrare il suo bordo superiore e inferiore e farlo scivolare in fuori. Nel rimettere a posto il pannello di vetro, tenerlo a livello e diritto rispetto alle scanalature della finitura dello sportello prima di spingerlo a posto.

Parti verniciate, di plastica e color oro **INTELAIATURA E MANIGLIE DELLO SPORTELLI, MANOPOLE DI COMANDO** Usare solo un panno pulito immerso in acqua saponata tiepida e strizzato bene.

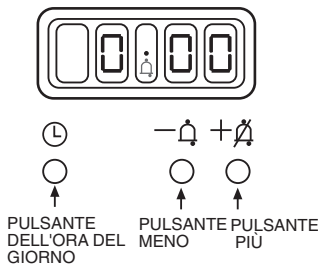
Parti con smaltatura vitrea **TEGLIA DEL GRILL, SCHERMO TERMICO, COMPARTI DEL FORNO / GRILL, SUPPORTI DELLE PENTOLE, POZZETTO DI RACCOLTA DEL PIANO DI COTTURA** Usare una crema detergente ad azione delicata.

Parti cromate **GRIGLIA DEL GRILL, RIPIANI, GUIDE DEI RIPIANI** Non usare detersivi o polish abrasivi. Usare un tampone insaponato inumidito. Le guide dei ripiani possono essere tolte per pulirle. Afferrare e farle scivolare in fuori dai fori di fissaggio come illustrato.

Superficie in acciaio inox (solo modelli in acciaio inox) Utilizzare esclusivamente un panno pulito inumidito in acqua e sapone, quindi asciugare con un panno morbido. Evitare l'utilizzo di candeggina non diluita e di qualsiasi prodotto contenente cloruri, che possono danneggiare l'acciaio in modo permanente. Alcuni prodotti alimentari sono corrosivi, ad esempio l'aceto, i succhi di frutta ed il sale, e possono macchiare o danneggiare l'acciaio inox se lasciati sulla superficie più del dovuto. Pulire via eventuali rovesciamenti immediatamente. Gli oggetti appuntiti possono lasciare segni sulla superficie in acciaio inox, che però si noteranno meno al passare del tempo.

UTILIZZO DEL CONTAMINUTI

Display iniziale



Il timer digitale consente di impostare l'ora del giorno (formato 24 ore) e l'allarme del contaminuti.

Impostazione dell'"Ora del giorno"

1. Accendere l'alimentazione elettrica del forno.
2. Il display inizia a lampeggiare.
3. Premere e rilasciare il pulsante dell'ora del giorno.
4. Impostare l'ora del giorno con i pulsanti più e meno.

L'ora verrà impostata 7 secondi dopo l'ultima volta che si è premuto il pulsante più o meno.

Suonerie allarme
Dopo aver selezionato l'ora del giorno è possibile selezionare una delle tre suonerie per l'allarme.

Premere il pulsante meno per ascoltare la prima suoneria, quindi rilasciare il pulsante e premerlo nuovamente per ascoltare la seconda, e così via.

Se si rilascia il pulsante meno dopo aver ascoltato una suoneria, verrà automaticamente selezionata tale suoneria.

INSTALLAZIONE

Importante: questa apparecchiatura deve essere installata unicamente nel rispetto delle norme vigenti e soltanto in aree ben ventilate. Leggere le istruzioni prima di installare o utilizzare questa apparecchiatura.

Regolamenti e normative - Questa cucina a gas deve essere installata osservando i regolamenti in vigore nel Paese in cui viene installata. Tutte le apparecchiature a gas devono essere installate e sottoposte a manutenzione da persone competenti.

Attenzione: Una buona ventilazione è essenziale per il funzionamento di tutte le apparecchiature a gas in condizioni di sicurezza. Le aperture di ventilazione realizzate appositamente devono essere progettate e posizionate in modo tale da ridurre al massimo il rischio di ostruzione, sia accidentale che deliberata.

Importante

- Anche se è stata esercitata la massima cura affinché il prodotto sia privo di sbavature e spigoli vivi, maneggiare con attenzione; si raccomanda l'uso di guanti di protezione durante l'installazione.
- Non trasportare l'apparecchiatura prendendola per i fori di fissaggio del telaio anteriore.
- Se viene installata ad incasso, il pannello posteriore interno del mobile ad incasso deve essere rimosso per lasciare la profondità necessaria per l'installazione.
- Accertarsi che nessun materiale combustibile entri a contatto con la base del forno e con la cassetta dei bruciatori.
- Non sollevare l'apparecchiatura usando la maniglia dello sportello.
- Dopo l'installazione, accertarsi che l'apparecchiatura sia a prova di gas.

- Controllare che tutti i cavi elettrici siano lontani da fonti di calore adiacenti, come forno a grill.
- Accertarsi che il mobile ad incasso e l'apparecchiatura siano saldamente fissate prima della messa in funzione.
- **Se sotto l'apparecchiatura si trova un comparto per pentole, accertarsi che nessun materiale combustibile entri a contatto con la parte sottostante dei bruciatori, utilizzando un pannello protettivo o una protezione. Deve essere possibile rimuovere la protezione per la manutenzione.**
- Per evitare che condizioni avverse di pressione aria compromettano il funzionamento del forno, è necessario che l'unità forno sia alloggiata in un mobile isolato e che non vi siano collegamenti all'esterno tranne i fori di sfogo per il gas.
- I fori dei cavi e le tubazioni devono essere sistemati in modo da ridurre al minimo la perdita tra comparti. I requisiti di ventilazione specifici inclusi in questo manuale di istruzioni devono, ad ogni modo, essere soddisfatti.

Dimensioni vano (Figure 1 e 2)

Messa a livello - Posizionare una sottile lamiera cottura su una scaffale del forno.

Dimensioni cucina (Figure 3)

Tutte le dimensioni sono nominali e sono possibili variazioni. Le dimensioni della 'profondità' della cucina, sono indicate sul pannello frontale e non includono manopole e maniglie.

Distanze di sicurezza

- Al di sopra del piano di lavoro non ci devono essere scaffali continui o sporgenze di materiale combustibile più vicini di 450mm, o di 600mm (se la cucina è dotata di coperchio).
- Consultare la Stoves per le istruzioni di montaggio se ci sono scaffali parziali.
- Tra il piano di cottura e le eventuali pareti laterali / superfici combustibili deve essere mantenuta una distanza minima pari a 70mm.
- Le superfici non combustibili o protette con un materiale non combustibile appropriato possono mantenere distanze inferiori. Fare riferimento a Stoves per ulteriori consigli.
- Per installazioni con una veneziana dietro l'apparecchio, mantenere una distanza minima pari a 55mm.
- Quando l'elettrodomestico è privo di coperchio, l'installatore deve installare uno scudo termico - realizzato in materiale non combustibile - sulla parete posteriore.
- Lasciare dello spazio al di sotto dell'apparecchiatura, con una base rimovibile per consentire l'accesso del collegamento a gas.

L'apparecchiatura è progettata per essere inserita tra due unità, far scivolare l'apparecchiatura tra le unità, dopo aver verificato che le dimensioni e gli schemi siano sistemati come illustra il diagramma. Fissare l'apparecchiatura tramite i fori laterali del telaio anteriore.

Ventilazione - Per la ventilazione nella base immediatamente al di sotto dell'apparecchiatura deve esserci uno spazio di ventilazione minimo pari a 20mm x 550mm. Nell'incorporare lo spazio di ventilazione, fare attenzione a che la parte sottostante del forno non rimanga esposta a contatti accidentali.

Collegamento alimentazione a gas

Importante:

- Per questa installazione devono essere utilizzate tubazioni ondulate. • Il collegamento in entrata pari a un tubo per gas da 10mm è posto alla base dell'apparecchiatura. Le altre dimensioni in entrata possono essere sistemate secondo esigenze specifiche del cliente o per soddisfare il paese di destinazione.

L'apparecchiatura deve essere installata su un impianto di alimentazione a gas. Ciò garantirà che la pressione di entrata dell'apparecchiatura non scenda rispetto alla pressione nominale di più di 1milibar (gas naturale) o 2,5 milibar (GPL).

Tutte le apparecchiature collegate allo stesso impianto sono messe in funzione simultaneamente.

I fori dei cavi e le tubazioni vanno sistemati in modo da ridurre al minimo la fuga di aria tra i comparti. I requisiti di ventilazione specifici inclusi in questo manuale di istruzioni devono, ad ogni modo, essere soddisfatti.

Collaudo bruciatori - Una volta installati, tutti i bruciatori devono essere collaudati per accertarsi che l'apparecchiatura funzioni correttamente. • **Grill** - Seguendo le istruzioni per l'utilizzatore il bruciatore si accenderà con una fiammella di colore blu chiaro senza emissione di fuliggine (propano), il butano può mostrare delle fiamme dalle punte gialle. • **Forno** - Il forno può anche essere acceso senza emissione di fuliggine, anche se con il butano è possibile la formazione di fiamme con la punta gialla. • **Bruciatori** - I bruciatori dovrebbero attivarsi con una fiamma blu chiaro senza fuliggine.

Collegamento alimentazione elettrica

1. L'apparecchiatura è dotata di spina adatta al paese di destinazione.
2. La spina deve essere collocata in modo da essere accessibile all'utilizzatore.
3. Il cavo di rete deve essere posto in modo da evitare contatti accidentali con la parte retrostante del grill o della cavità del forno.

Messa in funzione

Aerazione bruciatore - Tutti i bruciatori hanno un'aerazione fissa; la regolazione non è possibile. I bruciatori grill e la piastra di cottura dovrebbero funzionare con una fiamma chiara. Il bruciatore del forno può mostrare delle fiamme dalla punta gialla se viene utilizzato il butano.

Impostazioni pressione - Paesi di destinazione; BE, EP, FR, GB, IE, PT, G30 @ 28 - 30 milibar, G31 @ 37 milibar **Impostazioni pressione** - Paesi di destinazione; DK, GR, NL, G30/G31 @ 28 - 30 milibar **Impostazioni pressione** - Paesi di destinazione; DK, ES, GB, GR, IE, IT, PT, G20 @ 20 milibar

ISTRUZIONI DI TRASFORMAZIONE DEL METANO

Questa trasformazione deve essere eseguita da un tecnico autorizzato e nel rispetto delle norme vigenti. Consultare le istruzioni di manutenzione per la rimozione delle parti. Quando l'apparecchiatura è stata trasformata, cancellare le informazioni esistenti sul gas dalla scheda di identificazione e inserire la nuova scheda. Per il kit di trasformazione contattare il +44 (0) 151 432 7838.

MANUTENZIONE

Prima della manutenzione: Staccare le forniture del gas e dell'elettricità. **Dopo la manutenzione:** Controllare che non ci siano perdite di gas. **Tutte le operazioni di manutenzione devono essere svolte da una persona competente e qualificata.**

1. Pannello frontale - a. Smontare le manopole di regolazione per recuperare le due viti poste alle estremità del pannello frontale. **b.** Svitare le viti e spingere in avanti il pannello frontale.

2. Rimuovere la piastra fornelli - a. Rimuovere i supporti per le pentole e gli ugelli dei bruciatori. **b.** Rimuovere le 4 viti di fissaggio laterali della piastra cottura e sollevare la piastra fornelli in modo che sia libero.

3. Elettrodi dei rubinetti - a. Rimuovere i supporti per le pentole, gli ugelli dei bruciatori e i rubinetti dei bruciatori e rimuovere la piastra fornelli (1, 2 e 3). **b.** Rilasciare il comando dell'elettrodo e scolleghere l'elettrodo sul generatore di accensione.

4. Per rimuovere un rubinetto - a. Svitare la vite di fissaggio. Rimuovere pannello frontale e la piastra fornelli (1 e 3). **b.** Sulla guida saranno visibili tutti i rubinetti e sarà possibile rimuoverli svitando le 2 viti di fissaggio, la connessione di uscita e la connessione FSD. **c.** Nel rimontaggio dei rubinetti assicurarsi che le viti siano ben serrate. In alternativa, alcuni modelli possono avere un'entrata per tubazioni e un'uscita per collegamenti FSD per i comandi; se montati, procedere come segue: **a.** Rimuovere la mensola (2). **b.** Rimuovere il collegamento termocoppia dal rubinetto. **c.** Rimuovere le 2 viti fissando il comando nella guida per i rubinetti. **d.** Sollevare il comando dalla guida dei rubinetti e spingere in avanti, tirando il comando dal tubo per il gas. **e.** Sull'estremità del comando del tubo per il gas dovrebbe essere montato un 'O' ring, se l' 'O' ring non è presente all'estremità del tubo sarà posto all'interno del collegamento dei comandi, agganciare l' 'O' ring e rimontarlo sul tubo per il gas, e sostituirlo se necessario.

5. Iniettori dei bruciatori - a. Rimuovere i supporti per le pentole e i 4 tappi dei bruciatori con i relativi ugelli. Gli iniettori sono ora disponibili nella parte interna del fornello. **6. Interruttore di accensione - a.** Rimuovere il pannello frontale e la piastra con i fornelli (1). **b.** Scollegare i cavi dall'interruttore. **c.** Spostare l'interruttore lato a lato per rimuoverlo dalla staffa del della guida dei rubinetti. **7. Per rimuovere la copertura grill (se montata) - a.** Rimuovere il pannello frontale e la piastra fornelli (3). **b.** Scollegare il tubo di alimentazione del gas dalla parte posteriore dei rubinetti. **c.** Svitare le 2 viti di fissaggio e rimuovere il rubinetto dalla guida. **d.** Controllare lo stato della guarnizione e sostituirla se necessario. Dopo avere rimontato il rubinetto accertarsi che i collegamenti ad ambo le estremità del tubo di alimentazione siano a prova di gas.

8. Bruciatore grill, elettrodo e iniettore (se montato) - a. Rimuovere la vite dall'estremità sinistra della staffa del bruciatore grill. **b.** Rimuovere la termocoppia FSD all'estremità destra del bruciatore ed estrarre il cavo dell'elettrodo. **c.** L'iniettore grill è ora disponibile al lato destro della cavità del grill. **d.** Sostituire la rosetta sigillante dell'iniettore grill se necessario.

9. Termostato/rubinetto grill combinato (se montato) - a. Rimuovere il pannello frontale e la piastra fornelli (1 e 3). **b.** Smontare la fiala del termostato dai 2 fermi nella parte anteriore della parte superiore del forno. **c.** Alimentare il capillare attraverso il foro nella parte superiore del forno e la leccarda. **d.** Scollegare i tubi dell'alimentazione a gas e i dispositivi FSD dalla parte posteriore del termostato, quindi svitare le 2 viti di fissaggio e rimuovere il termostato dalla guida dei rubinetti. **f.** Controllare lo stato della guarnizione e cambiarla se necessario.

10. Interruttore termico - a. Rimuovere la piastra fornelli (3). **b.** Scollegare i cavi dall'interruttore termico. **c.** Rimuovere le 2 viti di fissaggio dell'interruttore termico. Rimuovere l'interruttore.

11. Ventola di raffreddamento - a. Estrarre la cucina dal vano in cui è incassata. **b.** Rimuovere la piastra fornelli (3). **c.** Scollegare i terminali della ventola e svitare le 4 viti che fissano la ventola.

12. Bruciatore forno/iniettore - a. All'interno del forno, rimuovere la protezione dei bruciatori forno svitando la singola vite anteriore che la fissa e sollevarla. **b.** Smontare il cavo dall'elettrodo nella parte sinistra del bruciatore. **c.** Svitare il dado esagonale dalla parte anteriore del bruciatore. **d.** Allentare la vite di fissaggio, quindi far scivolare verso sinistra per pulire l'iniettore. **e.** Svitare l'iniettore. **f.** Sostituire la rosetta sigillante dell'iniettore grill se necessario.

13. Elettrodo forno - a. Rimuovere il cavo dall'elettrodo. **b.** Svitare le 2 viti dalla staffa dell'elettrodo con 1 cacciavite robusto.

ESPAÑOL

Guarde este manual para el futuro o para cualquier otra persona que utilice la cocina.

INTRODUCCIÓN

La gama de "Stoves" se suministra con o sin encendido.

Importante: Este aparato sólo debe instalarse de conformidad con los reglamentos en vigor, y antes colocarse en lugar donde haya buena ventilación. Lea estas instrucciones antes de instalar o utilizar el aparato. • Al igual que con todos los aparatos de gas, se recomienda hacer mantener el aparato con regularidad. • Todos los trabajos de instalación, reparación y mantenimiento deben ser realizados por persona competente para que se cumplan con todos los reglamentos, normas y requisitos vigentes. • Estas instrucciones solo son válidas si el aparato lleva el símbolo del país correspondiente. En el caso que no lo lleve, deberá hacer referencia a las instrucciones técnicas en las cuales encontrará la información necesaria para modificar el aparato de conformidad con las condiciones de uso del país.

Ventilación - El uso de un aparato de cocinar a gas genera calor y humedad en la habitación donde esté instalado. Por lo tanto, es necesario que la cocina esté bien ventilada, que estén abiertos siempre los agujeros de ventilación natural o se debe instalar algún dispositivo mecánico de ventilación (caperuza mecánica de extracción). Si el aparato se utiliza por periodos prolongados y en forma intensiva será necesario disponer de ventilación más efectiva, por ejemplo, aumentar el nivel de ventilación mecánica, donde la hubiera.

Encendido del quemador - El encendido no debe hacerse funcionar más de 15 segundos. Si después de 15 segundos no se enciende el quemador, párese, suéltese el encendido, abra la puerta del compartimento y espere al menos 1 minuto antes de intentar encenderlo otra vez. En el caso que, por casualidad se extinga la llama del quemador, apáguese el quemador con el control y deje pasar 1 minuto, como mínimo, antes de encenderlo otra vez.

Dispositivo de seguridad: este dispositivo corta el suministro de gas en caso de que se apagara la llama en forma imprevista.

Ventilador de refrigeración: cuando se enciende el aparato, es posible que oiga activarse el ventilador, que enfría el panel y los mandos cuando se utiliza la parrilla o el horno, y seguirá funcionando hasta 15 minutos más después de apagar el aparato. En caso de corte de energía eléctrica o avería del ventilador, **no utilice el aparato.** Si ocurriera alguna avería del ventilador de refrigeración, el aparato cuenta con un disyuntor de seguridad que cortará el suministro de gas al quemador de la parrilla. Ello evitará que el aparato se caliente si falla el ventilador, en cuyo caso deberá dirigirse al servicio de asistencia al cliente. Si el panel de mandos y los mandos se calientan mucho, puede indicar que el ventilador no funciona; en tal caso, diríjase al servicio de asistencia al cliente.

MÁS VALE PREVENIR QUE CURAR

Ojo: Cuando esté cocinando no deje que los niños se acerquen al aparato.

- Atención: Para el funcionamiento continuo y seguro de todos los aparatos de gas es esencial disponer de buena ventilación. No deje que se bloquee ninguna abertura de ventilación, ya sea por casualidad o deliberadamente.
- Este producto está diseñado como aparato casero de cocinar, por lo que no debe usarse nunca para ningún otro propósito.
- Asegúrese de que todo material inflamable (es decir, cortinas, tapicerías, toallas y ropa en general) esté lejos del aparato.
- Podría serque algunas partes del aparato calorarse durante o inmediatamente después de usarse. Después de apagarlo, dejar pasar tiempo suficiente para que se enfríe.
- No ponga ningún paño de cocina sobre los respiraderos de chimenea, de lo contrario se corre el riesgo de producirse un incendio.
- Cuando abra la puerta del aparato, evite que la piel entre en contacto con el vapor que se escapa.
- No utilice papel de aluminio para cubrir la bandeja de la parrilla ni ponga en la parrilla alimentos enrollados en papel de aluminio para no correr el riesgo de que se prenda fuego.
- No utilice el horno sin la puerta interna de vidrio (puertas de vidrio únicamente).
- Póngase guantes de horno para sacar alimentos calientes del horno o de la parrilla. El horno / parrilla y los utensilios usados se calientan mucho al usarlos.
- No utilice papel de aluminio para revestir las parrillas del horno ni deje que se bloquee el canal de humos del horno, ya que se producirá un riesgo de incendio y se impedirá la circulación.
- Para cocer alimentos pesados, por ejemplo, pavos, no tire del estante para afuera con el alimento en el estante.
- Si la cocina contiene una alacena debajo del horno, ésta debe usarse para guardar accesorios para el horno únicamente. No debe utilizarse nunca para guardar materiales inflamables.
- Cuando para cocinar se utilice grasa o aceite, no deje nunca la cocina desatendida.
- Ponga las asas de las ollas en posición segura de manera que estén fuera del alcance de los niños. No deben colgar fuera de la cocina para evitar accidentes.
- Utilice cazuelas de base plana, de 100mm diámetro mínimo y 200mm diámetro máximo, de gran estabilidad. No emplee cazos viejos y deformados ni cazos que carezcan de estabilidad al colocarlos sobre una superficie plana.
- Coloque las ollas sobre el centro de los quemadores, apoyándolas en los soportes. Si se colocan descentrados, los cazos pequeños perderán estabilidad.
- Si el aparato lleva debajo un cajón para guardar cacerolas, asegúrese que ningún material combustible entre en contacto con la parte inferior del quemador, utilizando al efecto una protección desmontable. Esta protección debe poderse desmontar para facilitar el mantenimiento.
- No utilice nunca la cocina para calentar una habitación.
- Si el aparato se instala en una caravana de turismo o cámper, asegúrese de que la bandeja de la parrilla esté empacada separadamente antes de comenzar el viaje.
- Por si acaso se vertiera accidentalmente grasa o se despararrara alguna materia ardiente, se recomienda que la superficie debajo del aparato se cubra con material incombustible apropiado.

Cuando termine de cocer compruebe que todos los controles estén en la posición "OFF", es decir apagados.

USO DE LOS HORNILLOS

Encendido - Empuje el mando y gírelo en el sentido contrario a las agujas del reloj hasta la posición de encendido. Sujete el mando en esta posición y accione el botón de encendido o arrime una cerilla o vela encendida al quemador. No se debe seguir empujando el mando más de 15 segundos. Si al cabo de 15 segundos no se ha encendido el quemador, suelte el mando y espere al menos un minuto antes de intentar encenderlo de nuevo. En caso de que las llamas del quemador se apaguen de forma imprevista, gire el mando del quemador a la posición de apagado y no intente encender nuevamente el quemador hasta que no haya transcurrido al menos un minuto. Unos segundos después de haberse establecido la llama se abrirá la válvula de seguridad y se podrá soltar el mando. Gire el mando a la posición que desee. Para apagar el quemador, empuje el mando y gírelo en el sentido de las agujas del reloj hasta que el punto del mismo quede debajo del punto en el panel de mandos.

Fuego lento: la posición de fuego lento está señalada por un símbolo de llama pequeña. Una vez encendido, gire el mando correspondiente en el sentido de las agujas del reloj más allá del símbolo de llama grande (fuego fuerte), hasta el símbolo de llama pequeña.

Al colocar el apoyabandeja asegúrese que los dedos estén centrados con los quemadores. Utilice siempre el tamaño de quemador apropiado al cazo que desee emplear. Todos los cazos deben tener base plana de un diámetro mínimo de 100mm y máximo de 200mm, y deben ser estables. No utilice cazos viejos o deformados por ser inestables.

Importante: Es necesario limpiar inmediatamente cualquier líquido que se derrame con el fin de reducir el riesgo de que el líquido penetre en el aparato.

LA PARRILLA

- Nota: La puerta debe estar abierta mientras se utiliza la parrilla.
- El ventilador de refrigeración empieza a funcionar al abrir la puerta de la parrilla.
- Ojo:** Cuando se emplea la parrilla, ciertas partes de la misma, que son accesorios, estarán calientes, por lo tanto no hay que dejar que los niños se acerquen al aparato.
- No cubra nunca la bandeja de parrilla ni la parrilla con aceite comestible ni deje que se acumule grasa en la bandeja lo cual podría dar lugar a riesgo de incendio.
- Ponga todos los materiales inflamables lejos del aparato.

Para encender la parrilla - Abra la puerta de la parrilla. Pulse el botón de

encendido, gire el mando de la parrilla a la posición de fuego fuerte y manténgalo pulsado en esa posición.

No se debe seguir empujando el mando más de 15 segundos. Si al cabo de 15 segundos no se ha encendido el quemador, suelte el mando y espere al menos un minuto antes de intentar encenderlo de nuevo.

Unos segundos después de haberse establecido la llama se abrirá la válvula de seguridad y se podrá soltar el mando. Gire el mando a la posición que desee. Cuando se necesite cocinar a fuego lento, se puede bajar un poco el fuego de la parrilla girando el mando en el sentido contrario a las agujas del reloj más allá del símbolo de llama grande (fuego fuerte), hasta el símbolo de llama pequeña.

Para apagar la parrilla, empuje hacia dentro del mando y gírelo hasta que el punto del mismo quede debajo del punto en el panel de mandos.

En caso de que las llamas del quemador se apaguen de forma imprevista, gire el mando del quemador a la posición de apagado y no intente encender nuevamente el quemador hasta que no haya transcurrido al menos un minuto.

Mango de bandeja de parrilla desmontable (si la lleva) Coloque el mango (con el escudo para arriba) sobre el borde de la bandeja de parrilla, en el hueco, y centrelo entre los dos resaltes laterales, deslizando. Para quitar el mango, coloque la bandeja de parrilla cara abajo y tire del mango con cuidado, deslizando por el hueco.

Hay que precalentar siempre la parrilla durante unos 3 minutos para obtener óptimos resultados. **Terminado el emparrillado, compruebe que el botón de control esté en la posición de "OFF", es decir apagado.**

EMPLEO DEL HORNO

- Ojo:** Mientras cocine, no deje que ningún niño se acerque al horno.
- No utilice láminas de aluminio en las parrillas del horno ya que éstas corren el riesgo de incendiarse y pueden impedir que circule el calor.
- No ponga nunca ningún material inflamable cerca del aparato.

Para prender el horno - Abra la puerta del horno, empuje el mando del horno y gírelo en el sentido contrario a las agujas del reloj a la posición de fuego fuerte. Sujete el mando en esta posición y accione el botón de encendido o arrime una cerilla o vela encendida al quemador. No se debe seguir empujando el mando más de 15 segundos. Si al cabo de 15 segundos no se ha encendido el quemador, suelte el mando y espere al menos un minuto antes de intentar encenderlo de nuevo.

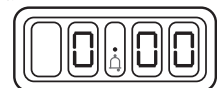
En caso de que las llamas del quemador se apaguen de forma imprevista, gire el mando del quemador a la posición de apagado y no intente volver a encenderlo durante al menos un minuto. Unos segundos después de haberse establecido la llama se abrirá la válvula de seguridad y se podrá soltar el mando. Gire el mando a la posición que desee. Para apagar la llama, empuje el mando y gírelo en el sentido de las agujas del reloj hasta que el punto del mismo quede debajo del punto en el panel de mandos.

Guía para asados Cuocere in forno regolato		Approssimativo tempo di cottura sul numero 5
Manzo	Al sangue Cottura media Ben cotto	20 minuti per ogni 450g, + 20 minuti. 25 minuti per ogni 450g, + 25 minuti. 30 minuti per ogni 450g, + 30 minuti.
Agnello	Cottura media Ben cotto	25 minuti per ogni 450g, + 25 minuti. 30 minuti per ogni 450g, + 30 minuti.
Maiale		20 minuti per ogni 450g, + 20 minuti.
Pollame		20 minuti per ogni 450g, + 20 minuti.

¿CÓMO USAR EL MINUTERO?

Al principio, el minuterero señala:

Con el contador digital podrá regular las horas del día (reloj de 24 horas diarias) y la alarma del minuterero.



PULSADOR DE LAS HORAS DEL DÍA PULSADOR NEGATIVO PULSADOR POSITIVO

Para regular las "horas del día".

- Conectar el horno en el suministro eléctrico. La pantalla se encenderá y apagará intermitentemente.
- Apretar y soltar el pulsador de las horas del día.
- Regular la hora del día con los pulsadores negativo y positivo.
- La hora se regulará 7 segundos después de la última operación positiva o negativa. Sonidos de alarma. Después de regular la hora de día, se podrá escoger entre uno de tres sonidos de alarma. Pulsar el pulsador negativo para escuchar el primer sonido, luego soltar el pulsador negativo y apretarlo otra vez para escuchar el segundo sonido, etc. Al soltar el pulsador negativo después de sonar un sonido, se seleccionará automáticamente este sonido. Como regular el minuterero.

- Apretar y soltar el pulsador positivo para cambiar la indicación horaria a minuterero - se encenderá el símbolo de campana.
- Usar los pulsadores positivo y negativo para regular el tiempo que tardará en sonar la alarma. La pantalla subirá o bajará en unidades de 10 segundos hasta 99 minutos 50 segundos, y en unidades de 1 minuto desde 1 hora 40 minutos para arriba. El máximo periodo regulable es de 10 horas. El formato de la pantalla cambiará después de 99 minutos y 50 segundos para indicar 1 hora y 40 minutos. Durante el conteo regresivo, el minuterero tiene prioridad en la pantalla, que indicará el resto del tiempo (minutos:segundos, u horas:minutos). Al terminar el conteo regresivo, la alarma sonará durante 7 minutos, o se puede reiniciar con solo tocar una vez una cualquiera de los pulsadores. Para cancelar el minuterero en cualquier momento, reducir el tiempo ajustado con el pulsador negativo. La pantalla volverá a resumir la indicación horaria.

LIMPIEZA

Ojo: El uso incorrecto de cualquier agente limpiador podrá dañar el aparato. Deje siempre que se enfrie el aparato antes de limpiarlo. No utilice pastas cáusticas, polvos abrasivos, lana de acero gruesa o utensilios duros porque dañan las superficies. Todas las partes del aparato pueden limpiarse bien con un trapo estrojuado en agua jabonosa caliente.

Casquetes y cabezales de quemador **Importante:** Antes de limpiarlos, déjelos enfriar. **Precaución:** Los quemadores de hornillas pueden averiarse si se remojan, si se ponen en lavavajillas para limpiarlos (o se lavan con polvo / líquido limpiadores para lavavajillas), si se lavan con pastas cáusticas, utensilios duros, lana de acero gruesa y agentes limpiadores abrasivos. Para que los quemadores funcionen bien, las ranuras de los cabezales donde queman las llamas, deben estar limpias sin depósitos de ningún tipo. Limpíelos con un cepillo de nylon, enjuáguelos y séquelos bien. Limpíelos con un limpiador cremoso suave o utilice una esponjita mojada con jabón. **Nota:** Quemadores fijos (si los tiene): Algunas versiones incorporan quemadores fijos. Estos quemadores van fijados a la cubierta con dos tornillos. Los quemadores fijos deben limpiarse sin desmontarse. Compruebe que el hueco entre el quemador y la placa no esté atascado de grasa.

Partes de vidrio (si la tiene) PUERTAS, TABLERO DE CONTROLES No utilice limpiadores o abrillantadores abrasivos. Emplee un limpiador cremoso suave. Enjuague bien y séquelos con un trapo suave. El panel de vidrio interno puede desmontarse para limpiarlo; abra completamente la puerta, agárrala por los bordes inferior y superior y sáquela desliziándola. Al reponer el panel de vidrio, sosténgalo nivelado y recto con las ranuras en los ribetes de la puerta antes de colocarlo otra vez en posición desliziándola.

Partes pintadas, de plástico y doradas MARCO Y POMOS DE PUERTA, POMOS DE CONTROL Utilice un limpiador cremoso suave.

Partes vidriadas BANDEJA DE PARRILLA, COMPARTIMENTO(S) DE HORNO / PARRILLA, DEFENSA DE FUEGO, POCITO PARA DERRAMES CALIENTES, SOPORTES DE CAZUELAS Utilice un limpiador cremoso suave.

Partes cromadas REJILLA DE PARRILLA, ESTANTES, GUÍAS DE ESTANTES No emplee abrasivos o abrillantadores. Utilice una esponjita jabonosa remojada. Las guías de estantes pueden quitarse para limpiarlas. Coja las guías y séquelas de sus agujeros desliziándolas.

Superficies de acero inoxidable (solo los modelos de acero inoxidable) Use únicamente un trapo limpio empapado de agua jabonosa caliente, y séquese con un trapo suave. No utilice lejía sin diluir ni ningún otro producto que contenga cloruros ya que pueden dañar permanentemente el acero. Algunos alimentos son corrosivos, por ejemplo, el vinagre, los zumos de fruta y la sal, y pueden manchar o dañar el acero inoxidable si se dejan en la superficie sin limpiarlos. Limpie inmediatamente cualquier derrame que ocurra. Los objetos de bordes o filos agudos podrán dejar marcas en el acero inoxidable, pero cada vez se destacarán menos con el paso del tiempo.

INSTALACIÓN

Importante: Este aparato solo debe instalarse de conformidad con los reglamentos vigentes, y solo en lugar bien ventilado. Antes de instalar o usar el aparato, lea las instrucciones.

Reglamentos y normas - Este aparato debe instalarse de conformidad con los reglamentos vigentes en el país de instalación. Todos los aparatos de gas deben ser instalados y reparados por personas competentes.

Atención: Para el funcionamiento continuo y seguro de todos los aparatos de gas es esencial disponer de ventilación adecuada. Las aberturas de ventilación hechas a propósito deben diseñarse y ubicarse de tal manera que se reduzca al mínimo el riesgo de bloqueo producido por accidente o deliberadamente.

Importante:

- Si bien se hace lo posible por eliminar todas las rebabas y aristas bastas del producto, tenga cuidado cuando lo manipule; recomendamos usar guantes de protección al instalarlo.
- No deje que el peso del aparato descansa sobre los orificios de fijación del marco frontal.
- Al instalarlo en un mueble se debe desmontar la protección desmontable del mueble para facilitar la profundidad necesaria para la instalación.
- Asegúrese de que ningún material combustible pueda entrar en contacto con la base del horno y la caja del quemador.
- No levante el aparato por medio del tirador de la puerta.
- Una vez instalado, compruebe que no haya fugas de gas por las conexiones del aparato.
- Asegúrese de que todos los cables eléctricos estén bien apartados de toda fuente de calor contigua, como un horno o una parrilla.
- Asegúrese de que el mueble y el aparato estén bien fijados antes de ponerlos en servicio.
- Si el aparato lleva debajo un cajón para guardar cacerolos, asegúrese de que ningún material combustible entre en contacto con la parte inferior del quemador, utilizando al efecto una protección, que debe ser desmontable para facilitar el mantenimiento.
- Para impedir que el rendimiento del horno se vea afectado por presión de aire adverso, es importante incorporar el horno en un armario independiente, que no esté conectado a cámaras de venteo al exterior de los muebles adyacentes, aparte de aberturas en la parte inferior del remolque que permitan salir el gas que se escape.
- Los agujeros para cables y tuberías deben ser de tamaño adecuado para reducir al mínimo el paso de aire entre un compartimiento y otro, sin dejar de cumplir con las exigencias específicas de ventilación que se detallan en este manual.

Dimensiones del armario (figuras 1 y 2)

Nivelación: ponga una bandeja de hornear sobre una de las parrillas del horno para que sirva de indicador de nivel.

Dimensiones de la cocina (figura 3)

Todas las dimensiones son nominales; es posible que haya alguna variación. La profundidad de la cocina que se indica es hasta la parte anterior del panel de mandos y no incluye los tiradores y mandos.

Distancias de separación

- No debe colocarse ningún estante o saliente de material combustible a menos de 450 ó 600mm por encima de la encimera (cuando el aparato lleva adaptada la tapa). Ver Estufas para las instrucciones de instalación de parrillas parciales.
- Entre la cubierta y cualquier pared posterior / superficie combustible debe haber una distancia mínima de 70mm.
- Las superficies incombustibles o las que están protegidas con material incombustible adecuado podrán tener distancias menores. Para más detalles

póngase en contacto con Stoves.

- Para instalaciones donde en la parte posterior del aparato haya una persiana, se debe observar la distancia mínima de 55mm.
- Cuando el aparato no lleva cubierta, el instalador debe colocar en la pared posterior una coraza térmica, hecha de material incombustible.
- Deje una separación debajo del aparato, con un zócalo desmontable para permitir el acceso a la conexión de gas. El aparato está diseñado para que quepa entre dos muebles; deslícelo entre los muebles tras haber comprobado que las dimensiones y la colocación de los listones sean los indicados en el esquema. Fije el aparato por medio de los agujeros en el costado del marco frontal.

Ventilación: para fines de ventilación debe practicarse una abertura mínima de 20 mm x 550 mm en el zócalo, inmediatamente debajo del aparato. Dicha abertura se debe realizar de forma que, una vez hecha, no haya posibilidad de que se toque sin querer la parte de abajo del horno.

Conecte el aparato al suministro de gas

Importante: • Para esta instalación es imprescindible utilizar tubos estriados. • La conexión para el tubo de entrada de gas de 10mm está situada en la base del aparato. Se puede instalar entradas de distinto tamaño a petición del cliente o para adecuarla al país de destino.

Este aparato se debe conectar a un sistema de suministro de gas. Con ello se asegura que la presión de entrada al aparato no baje de la presión nominal en más de 1 mbar (gas natural) o 2,5 mbar (GLP).

Todos los aparatos conectados al mismo sistema funcionan simultáneamente. Los agujeros para cables y tuberías deben ser de tamaño adecuado para reducir al mínimo el paso de aire entre un compartimiento y otro, sin dejar de cumplir con las exigencias específicas de ventilación que se detallan en este manual.

Verificación de los quemadores: una vez instalado el aparato, deben comprobarse todos los quemadores para cerciorarse de que el aparato funciona correctamente. • **Parrilla:** si se siguen las instrucciones de uso, el quemador debe producir una llama de color azul transparente, sin hollín (propano); el butano puede producir llamas de punta amarilla. • **Horno:** el quemador del horno tampoco debe producir hollín, si bien la punta de la llama puede ser amarillenta cuando se usa butano. • **Encimera:** los quemadores deben producir una llama azul transparente sin hollín.

Conecte el aparato al suministro de corriente eléctrica

1. Este aparato tiene un enchufe que sirve para el país de destino.
2. El enchufe debe colocarse de modo que quede accesible.
3. El cable de alimentación debe tenderse de modo que no pueda haber ningún contacto accidental con la parte posterior de la parrilla o la cavidad del horno.

Puesta en servicio

Aireación de los quemadores: todos los quemadores tienen aireación fija y no se pueden regular. Los quemadores de la placa de cocción y la parrilla deben producir una llama azul transparente. El quemador del horno puede producir llamas de punta amarillenta cuando se usa con butano.

Presión de tarado - países de destino: BE, ES, FR, GB, IE, PT, G30 a 28-30 mbar, G31 a 37 mbar

Presión de tarado - países de destino: DK, GR, NL: G30/G31 a 28-30 mbar

Presión de tarado - países de destino: DK, ES, GB, GR, IE, IT, PT, G20 a 20 mbar

INSTRUCCIONES PARA LA CONVERSIÓN A GAS NATURAL

Esta conversión debe ser realizada por un técnico autorizado y de acuerdo con los reglamentos en vigor. Para desmontar las piezas, refiérase a las instrucciones de revisión. Terminada la conversión, tache los detalles de gas que aparecen en la placa de características y fije otra nueva al lado. Para el kit de conversión, llame al número +44 (0) 151 432 7838.

SERVICIO

Antes del servicio: Desconectar los suministros eléctricos y del gas. **Después del servicio:** Verificar que las conexiones de gas estén bien hechas. **Todos los servicios deben ser efectuados por persona competente y aprobada.**

1. **Panel de mandos** - a. Saque los mandos para acceder a los dos tornillos en cada extremo del panel de mandos. b. Desatornille el panel y tire hacia delante del mismo.
2. **Desmonte la encimera** - a. Desmonte las parrillas y las coronas de los quemadores. b. Quite los cuatro tornillos de sujeción de la placa de cocción de los costados de la misma y retire la encimera.
3. **Electrodos de la encimera** - a. Desmonte las parrillas y las coronas y tapas de los quemadores (1, 2 y 3). b. Suelte la abrazadera que sujeta el electrodo y desconecte el electrodo del dispositivo de encendido.
4. **Desmontaje de un grifo de la encimera** - a. Desenrosque el tornillo de sujeción. Desmonte el panel de mandos y la encimera (1 y 3). b. Todos los grifos de la encimera estarán visibles en el conducto de grifos y se pueden desmontar aflojando los dos tornillos de sujeción, la conexión de salida y la conexión del dispositivo de seguridad. c. Al montar nuevamente el grifo, asegúrese de apretar los tornillos de modo uniforme. En algunos modelos los tubos de gas y la conexión del dispositivo de gas se acoplan a los mandos empujándolos; **en tal caso**, proceda de la forma siguiente - a. Desmonte la encimera (2). b. Saque la conexión de tempor del grifo. c. Quite los dos tornillos que fijan el mando al conducto de grifos. d. Levante el mando para sacarlo del conducto y tire hacia delante del mismo, sacándolo del tubo de gas. e. El extremo del tubo que se conecta al mando debe tener instalada una junta tórica; si dicha junta no se encuentra en el extremo del tubo, estará dentro de la conexión del mando. Extraiga la junta con un gancho y colóquela en el tubo de gas; en caso necesario, sustitúyala.
5. **Inyectores de la encimera** - a. Desmonte las parrillas y las cuatro coronas y tapas de los quemadores. Los inyectores habrán quedado accesibles en las cubetas de los quemadores.
6. **Interruptor de encendido** - a. Desmonte el panel de mandos y la encimera (1). b. Desconecte los cables del interruptor. c. Mueva el interruptor de lado a lado para saltarlo del soporte del conducto de grifos.
7. **Desmontaje del grifo de la parrilla (si lo hay)** - a. Desmonte el panel de mandos y la encimera (3). b. Desconecte el tubo de suministro de gas de la parte posterior del grifo. c. Desenrosque los dos tornillos de sujeción y retire el grifo del conducto. d. Compruebe el estado de la junta y, en caso necesario, sustitúyala. Tras haber sustituido el grifo, asegúrese de que las conexiones de ambos extremos del tubo de suministro sean herméticas al gas.
8. **Quemador, electrodo e inyector de la parrilla (si la hay)** - a. Quite el tornillo del extremo izquierdo del soporte del quemador de la parrilla. b. Desmonte el tempor

del dispositivo de seguridad del extremo derecho del quemador y saque el cable del electrodo. c. El inyector de la parrilla habrá quedado accesible por el lado derecho de la cavidad de la parrilla. d. Sustituya la arandela de estanqueidad del inyector de la parrilla, si hace falta.

9. **Grifo combinado para termostato y parrilla (si la hay)** - a. Desmonte el panel de mandos y la encimera (1 y 3). b. Desenganche el bulbo del termostato de las dos abrazaderas situadas en la parte delantera del techo del horno. c. Pese el capilar por el agujero en el techo del horno y la bandeja de derrame. d. Desconecte los tubos de suministro de gas y los dispositivos de seguridad de la parte posterior del termostato. e. Desenrosque los dos tornillos de sujeción y retire el termostato del conducto de grifos. f. Compruebe el estado de la junta; en caso necesario, sustitúyala.

10. **Termocontacto** - a. Desmonte la encimera (3). b. Desconecte los cables del termocontacto. c. Quite los dos tornillos que fijan el termocontacto y retire este.

11. **Ventilador de refrigeración** - a. Retire la cocina del hueco. b. Desmonte la encimera (3). c. Desconecte los terminales del ventilador y desenrosque los cuatro tornillos de sujeción del ventilador.

12. **Quemador e inyector del horno** - a. Desde el interior del horno, desmonte el protector del quemador del horno quitando el tornillo de la parte anterior del quemador y levantándolo. b. Saque el cable del electrodo en el extremo izquierdo del quemador. c. Desenrosque la tuerca hexagonal de la parte anterior del quemador. d. Manipule el quemador con cuidado hacia delante para sacarlo del tornillo y luego deslícelo hacia la izquierda para salvar el inyector. e. Desenrosque el inyector. f. Sustituya la arandela de estanqueidad del inyector de la parrilla, si hiciera falta.

13. **Electrodo del horno** - a. Desconecte el cable del electrodo. b. Utilice un destornillador corto n° 1 para soltar los dos tornillos del soporte del electrodo.

NEDERLANDS

Dit handboek bewaren voor eventueel onderhoud en eventuele andere gebruikers.

INLEIDING

Deze "Stoves" fornuizen zijn leverbaar met en zonder ontsteking.

Belangrijk: • Dit fornuis mag uitsluitend geïnstalleerd worden volgens de geldende voorschriften en uitsluitend in een goed geventileerde ruimte. Alvorens dit apparaat te installeren of te gebruiken, eerst de aanwijzingen lezen. • Het wordt aanbevolen dit fornuis, evenals alle andere gasapparaten, regelmatig te laten onderhouden. • Alle installatie-, periodieke en onderhoudswerkzaamheden moeten uitgevoerd worden door een bevoegd persoon die de geldige regelgeving, normen en eisen in acht neemt. • Deze instructies zijn alleen geldig indien het landsymbool op het apparaat aanwezig is. Indien dit symbool niet op het apparaat aanwezig is, is het noodzakelijk om de technische instructies te raadplegen. Deze bevatten de benodigde informatie over modificatie van het apparaat en de gebruiksvoorwaarden voor het betreffende land.

Ventilatie - Bij gebruik van een gasfornuis worden warmte en vocht ontwikkeld in de ruimte waarin het geïnstalleerd is. Zorgen dat de keuken goed geventileerd is; natuurlijke ventilatieopeningen open houden of een mechanische ventilatie inrichting installeren (mechanische wasemkap). Bij langdurig intensief gebruik van het fornuis kan effectievere ventilatie nodig zijn, bijv. sterkere mechanische ventilatie, indien aanwezig.

Aansteken van de brander - De aansteker mag maximaal 15 seconden worden gebruikt. Wanneer de brander na 15 seconden nog niet brandt, gebruik de aansteker dan niet meer, open de deur van het compartiment en wacht minstens 1 minuut alvorens opnieuw te proberen de brander aan te steken. Wanneer de vlammen van de brander per ongeluk worden gedoofd, draai de knop van de brander dan om en wacht minstens 1 minuut alvorens de brander opnieuw aan te steken.

Vlambeveiliging - De vlambeveiliging sluit de gastoevoer af wanneer de vlam om welke reden dan ook uitgaat.

De koelventilator - Wanneer het toestel ingeschakeld wordt, kunt u horen dat de koelventilator wordt ingeschakeld. Deze houdt het voorpaneel en de bedieningsknoppen koel tijdens het grillen/koken en blijft maximaal 15 minuten doorwerken nadat het toestel is uitgeschakeld. In het geval van stroomuitval of een storing in de ventilator mag het toestel niet gebruikt worden. Het toestel is voorzien van een veiligheidschakelaar voor het geval dat een storing optreedt in de ventilator. De schakelaar sluit de gastoevoer naar de grillbrander af. Dit voorkomt dat het toestel te heet wordt wanneer de ventilator uitvalt. In dit geval moet contact worden opgenomen met de afdeling klantenservice. Als het voorpaneel en de knoppen oververhitten kan dit betekenen dat de ventilator niet werkt - neem contact op met klantenservice.

VEILIGHEID VOOR ALLES

Attentie: Tijdens koken kinderen uit de nabijheid van het fornuis vandan houden.

- **Waarschuwing:** Goede ventilatie is van groot belang voor de blijvend veilige werking van alle gasapparaten. Zorg ervoor dat ventilatieopeningen niet per ongeluk of opzettelijk geblokkeerd worden.
- Dit product is ontworpen als kookapparaat voor huishoudelijk gebruik en mag niet voor andere doeleinden worden gebruikt.
- Alle brandbare materialen (zoals gordijnen, stoffering, theedoeken en kleren) van het fornuis vandan houden.
- Tijdens en onmiddellijk na gebruik kunnen delen van het fornuis heet zijn. Na uitgeschakelen, lang genoeg wachten tot het fornuis afgekoeld is.
- Geen theedoeken over de afvoeropeningen draperen, daar dit een brandgevaar vormt.
- Bij openen van de oventrui, zorgen dat de huid niet in aanraking komt met eventueel ontsnappende stoom.
- Geen aluminiumfolie gebruiken om de grillpan af te sluiten of in folie gewikkelde spijzen onder de grill plaatsen, daar dit een brandgevaar vormt.
- Oven nooit gebruiken als het binneste glaspaneel uitgenomen is (alleen ovens met glazen deur).

- Bij uitnemen van heet kookgerei uit de oven of grill, ovenhandschoenen gebruiken. De oven, grill en kookgerei zijn tijdens gebruik zeer heet.
- nooit overrekken met folie bedekken of de ontluchtingsopening met folie afsluiten, daar dit een brandgevaar vormt.
- Bij koken van zware gerechten, bijv. kalkoen, nooit het ovenrek uitrekken wanneer het gerecht daar nog op ligt.
- Als het fornuis een opslagruimte onder de oven heeft, deze alleen gebruiken voor overengere. Nooit brandbare materialen in deze ruimte bewaren.
- Bij koken met vet of olie, fornuis nooit zonder toezicht achterlaten.
- Draai de panningen naar een veilige stand pan, buiten het bereik van kinderen, zodat ze niet uitsteken en er niet per ongeluk tegenaan gestoten wordt.
- Pannen gebruiken met een vlakke bodem van minimaal 100mm diameter en maximaal 200mm diameter, die stabiel in het gebruik zijn, en vermijden om oude, gedeukte pannen te gebruiken of elke pan die bij plaatsen op een plat oppervlak onstabiel is.
- Zet de pannen midden op de branders, zodat ze op de steunen rusten. Wanneer zij niet in het midden staan kunnen kleine pannen onstabiel zijn.
- Commerciële hulpmiddelen voor sudderen mogen niet worden gebruikt daar ze excessieve temperaturen kunnen veroorzaken waardoor het oppervlak beschadigd kan worden en een gevaar kunnen vormen.
- Nooit het fornuis gebruiken om een kamer te verwarmen.
- Als de oven geïnstalleerd wordt in een toer caravan of camper, zorgen dat de grillpan veilig opgeborgen wordt alvorens weg te rijden.
- Het wordt aanbevolen de ruimte onder de oven te bekleden met een daarvoor geschikt onbrandbaar materiaal, voor het geval dat per ongeluk vet of eventueel brandbaar materiaal gemorst wordt.

Wanneer u met koken klaar bent, controleren dat alle regelaars op uit staan.

DE KOOKPLAAT

Ontsteking – Druk de bedieningsknop in en draai hem tegen de klok in naar de stand 'geheel open'. Houd de knop ingedrukt en druk op de ontstekingsknop of houd een brandende lucifer of kaarsje bij de brander.

De bedieningsknop niet langer dan 15 seconden vasthouden. Als de brander na 15 seconden niet ontstoken is, moet de knop worden losgelaten en minstens één minuut worden gewacht voordat opnieuw geprobeerd wordt om de brander te ontsteken. Wanneer de vlam van de brander per ongeluk wordt gedoofd, moet de regeling van de brander worden uitgegeregeld en moet minstens één minuut worden gewacht voordat geprobeerd wordt om de brander weer te ontsteken. Enkele seconden nadat de vlam is aangestoken wordt de veiligheidsklep geopend en kan de bedieningsknop worden losgelaten. Draai de bedieningsknop naar de vereiste stand. Om uit te schakelen moet de bedieningsknop worden ingedrukt en met de klok mee worden gedraaid, totdat de punt op de bedieningsknop zich onder de punt op het voorpaneel bevindt.

Sudder – de sudderstand wordt aangegeven door een heet symbool met een kleine vlam. Na het aansteken draait u de geselecteerde bedieningsknop tegen de klok in langs het symbool met de grote vlam (hoge vlam) naar het symbool met de kleine vlam.

Controleer bij het plaatsen van de pannensteun of de vingers centraal staan ten opzichte van de branders. Alrijd brander van juiste grootte voor de gewenste pan gebruiken. Pannen gebruiken met vlakke bodem van minimaal 100mm diameter en maximaal 200mm diameter, die stabiel in gebruik zijn. Gebruik van oude of gedeukte pannen vermijden, daar deze onstabiel kunnen zijn.

Belangrijk: Om te voorkomen dat er vloeistof in het apparaat terechtkomt dient gemorste vloeistof onmiddellijk verwijderd te worden.

DE GRILL

- **Opmerking:** Bij gebruik van de grill moet de deur openstaan.
- De koelventilator werkt wanneer de deur van de grill wordt geopend.
- **Attentie:** Tijdens gebruik van de grill, kunnen toegankbare delen heet zijn, jonge kinderen uit de nabijheid weren.
- De grillpan nooit met folie bedekken of vet laten accumuleren in de grillpan, daar dit een brandgevaar vormt.
- Alle brandbare materialen van het fornuis vandaan houden.

Aansteken van de grill – Open de deur van de grill. Druk op de ontstekingsknop, draai de bedieningsknop van de grill geheel open en houd hem ingedrukt.

De bedieningsknop niet langer dan 15 seconden vasthouden. Als de brander na 15 seconden niet ontbrand is, moet de knop worden losgelaten en minstens één minuut worden gewacht voordat opnieuw geprobeerd wordt om de brander te ontsteken. Enkele seconden nadat de vlam is aangestoken wordt de veiligheidsklep geopend en kan de bedieningsknop worden losgelaten.

Voor langzaam koken/grillen kan de grill op een wat kleinere vlam worden gezet door de bedieningsknop langs het symbool met de grote vlam (geheel open) te draaien naar het symbool met de kleine vlam.

Om uit te schakelen moet de bedieningsknop worden ingedrukt en worden gedraaid, totdat de punt op de bedieningsknop zich onder de punt op het voorpaneel bevindt.

Wanneer de vlam van de brander per ongeluk wordt gedoofd, moet de regeling van de brander worden uitgegeregeld en moet minstens één minuut worden gewacht voordat geprobeerd wordt om de brander weer te ontsteken.

Afneembare grillpan handgreep (indien aanwezig) - Handgreep (met schild boven) bij de uitsparing over de rand van de grillpan plaatsen en verschuiven tot hij in het midden tussen de twee pasknoppen staat. Handgreep als volgt afnemen: pan neerzetten, handgreep iets opheffen terwijl men hem langs de uitsparing schuift.

Voor beste resultaten, grill altijd 3 minuten voorverwarmen.

Als men met de grill klaar is, controleren dat de regelknop uit staat.

DE OVEN

- **Attentie:** Tijdens koken kinderen uit de nabijheid van de oven vandaan houden.
- Geen folie op de ovenrekken gebruiken; dit vormt een brandgevaar en kan circulatie van de warmte verhinderen.
- Alle brandbare materialen uit de nabijheid van het fornuis houden.

Aansteken van de oven – Open de deur van de oven en draai de bedieningsknop tegen de klok in naar de stand 'geheel open'. Houd de knop ingedrukt en druk op de ontstekingsknop of houd een brandende lucifer of kaarsje bij de brander. De bedieningsknop niet langer dan 15 seconden vasthouden. Als de brander na 15 seconden niet

ontbrand is, moet de knop worden losgelaten en minstens één minuut worden gewacht voordat opnieuw geprobeerd wordt om de brander te ontsteken. Wanneer de vlam van de brander per ongeluk wordt gedoofd, moet de regeling van de brander worden uitgegeregeld en moet minstens één minuut worden gewacht, voordat geprobeerd wordt om de brander weer te ontsteken. Enkele seconden nadat de vlam is aangestoken wordt de veiligheidsklep geopend en kan de bedieningsknop worden losgelaten. Draai de bedieningsknop naar de vereiste stand. Om uit te schakelen moet de bedieningsknop worden ingedrukt en met de klok mee worden gedraaid, totdat de punt op de bedieningsknop zich onder de punt op het voorpaneel bevindt.

Braadrichtlijnen In oven koken op gasovenstand 5	Kooktijd, ongeveer (in voorverwarmde oven)
Rundvlees Kort gebraden Middel Doorbakken	20 minuten per 450g + 20 minuten 25 minuten per 450g + 25 minuten 30 minuten per 450g + 30 minuten
Lamsvlees Middel Doorbakken	25 minuten per 450g + 25 minuten 30 minuten per 450g + 30 minuten
Varkensvlees	20 minuten per 450g + 20 minuten
Gevogelte	20 minuten per 450g + 20 minuten

REINIGEN

Attentie: Onjuist gebruikte reinigingsmiddelen kunnen het fornuis beschadigen. Fornuis altijd laten afkoelen alvorens te reinigen. Nooit bijtende pasta, schuurpoeder, grove staalwol of harde werktuigen gebruiken omdat deze de oppervlakken beschadigen. Alle delen van het fornuis kunnen veilig gereinigd worden met een in heet zeepsop gedompelde en uitgewrongen doek.

Branderkopjes en -koppes **Belangrijk:** Branders laten afkoelen alvorens te reinigen.

Attentie: Kookplaatbranders kunnen beschadigd worden door te laten weken, automatische vatenwasmachines, (of poeders / vloeistoffen daarvoor) bijtende pasta, harde werktuigen, grove staalwol en schurende reinigingspasta. Om veilig te kunnen werken moeten de sleuven in de brander, waar de vlammen branden, vrij van aanslag gehouden worden. Met een nylon borstel reinigen en grondig drogen. Met zachte reinigingscreme reinigen of een vochtig zeepsopje gebruiken. **N.B.:** Vaste branders (indien gemonteerd): Sommige versies zijn voorzien van vaste branders. Deze branders zijn met 2 schroeven vastgezet op de kookplaat. Vaste branders moeten op hun plaats worden gereinigd. Zorg ervoor dat de opening tussen de brander en de kookplaat niet verstopt raakt door vet.

Glasdelen (indien gemonteerd) **DEURPANELEN, BEDIENINGSPANEEL** – Geen schurende reinigings- of poetsmiddelen gebruiken. Zachte reinigingscreme gebruiken. Grondig afspoelen en met zachte doek afdrogen. Het glas binnen deurpaneel kan voor reiniging uitgenomen worden, deur vijf open, bovenste en onderste rand vasthouden en uitschuiven. Bij terugzetten van glaspaneel, recht en in lijn met de groeven in de deurdranken houden alvorens het terug te schuiven.

Gelakte, plastic en goudkleurige delen **DEURFRAME & HANDGREPEN, BEDIENINGSKNOPPEN** – Alleen maar een in heet zeepsop gedrenkte en uitgewrongen doek gebruiken.

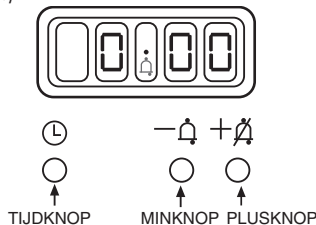
Geïmoleerde delen **GRILL PAN, HITTESCHILD, OVEN/GRILL WANDEN, DRIJPLAAT, PANNESTEUNEN** – Zachte reinigingscreme gebruiken.

Verchroomde delen **GRILLROOSTER, REKEN, REKRAILS** – Geen schuur- of poetsmiddelen gebruiken. Vochtig zeepsopje gebruiken. Rekrails kunnen voor reiniging uitgenomen worden.

Roestvrijstalen oppervlakken (alleen roestvrijstalen modellen) Gebruik alleen een schone in warm sop uitgewrongen doek en droog af met een zachte doek. Gebruik geen onverdund bleekmiddel of andere chloor bevattende producten daar ze het staal blijvend kunnen beschadigen. Sommige voedingsmiddelen zijn corrosief b.v.; azijn, vruchtensappen en zout, en wanneer ze langere tijd op het oppervlak achterblijven kunnen ze vlekken veroorzaken op roestvrij staal of het beschadigen. Ruim gemorste materialen onmiddellijk op.

MINUTE MINDER - GEBRUIKSAANWIJZING

Start-display



Met de digitale klok kunt u de tijd instellen (klok met 24 uur weergave) en het minutie minder alarm.

De tijd instellen

1. De elektrische voeding naar het apparaat inschakelen. De display knippert.
2. De tijdknop indrukken en loslaten.
3. De tijd instellen met de plus en minknoppen.
4. De tijd wordt ingesteld 7 seconden na de laatste plus- of minhandeling.

Alarmtonen

Na het instellen van de dag kunt u kiezen uit drie tonen.

De minknop indrukken om te luisteren naar de eerste toon. Daarna de minknop loslaten en weer indrukken om te luisteren naar de tweede toon, enzovoorts.

Wanneer de minknop na het luisteren naar een toon wordt losgelaten, wordt die toon automatisch geselecteerd.

Instellen van de minute minder

1. De plusknop indrukken en loslaten om de display te veranderen van klok naar minute minder – het belymbol gaat branden.
2. De plus- en minknoppen indrukken om de tijdsduur in te stellen instellen voordat de alarmtoon klinkt. De display gaat met 10 seconden tegelijk omhoog/omlaag tot 99 minuten en 50 seconden, en per minuut vanaf 1 uur en 40 minuten. De maximum periode die ingesteld kan worden is 10 uur.

Het formaat van de weergave verandert na 99 minuten en 50 seconden naar 1 uur en 40 minuten. Tijdens het aftellen wordt prioriteit van de minute minder op de display weergegeven. De resterende tijd wordt weergegeven (in minuten: seconden, of uren: minuten).

Nadat het aftellen is voltooid klinkt de toon voor 7 minuten. Deze kan worden uitgezet door op een willekeurige knop te drukken.

In alle andere gevallen kan de minute minder worden geannuleerd door de ingestelde tijd met de minknop terug te laten lopen.

De display keert terug naar de tijdsweergave.

INSTALLATIE

Belangrijk: dit toestel mag alleen geïnstalleerd worden in een goed geventileerde ruimte en overeenkomstig de geldende voorschriften. Lees de instructies alvorens dit toestel te installeren of te gebruiken.

Voorschriften & normen – Dit apparaat moet geïnstalleerd worden volgens de in het land van installatie van kracht zijnde voorschriften. Alle gasapparaten moeten door bevoegde personen geïnstalleerd en onderhouden worden.

Waarschuwing: Voor een blijvend veilige werking van alle gasapparaten is een goede ventilatie van groot belang. De vorm en locatie van speciaal aangebrachte ventilatieopeningen dienen zodanig te zijn dat het risico dat ze geblokkeerd worden, per ongeluk of met opzet, tot een minimum wordt beperkt.

Belangrijk:

- Hoewel al het mogelijke is gedaan om bramen en ruwe randen op dit product te voorkomen, moet het toestel voorzichtig gehanteerd worden – voor installatie adviseren wij het gebruik van beschermhandschoenen.
- Het gewicht van het toestel mag niet worden opgehangen aan de bevestigingsgaten in het voorframe.
- In het geval van installatie in een behuizing moet de loze achterkant uit de behuizing worden verwijderd om de nodige installatiediepte te verkrijgen.
- Brandbaar materiaal mag niet in aanraking komen met de onderzijde van de oven en de kast van de brander.
- Het toestel mag niet aan de deurhendel worden opgetild.
- Na installatie moet gecontroleerd worden of het toestel gasveilig is.
- Alle elektriciteitskabels moeten ruim uit de omgeving van naburige hittebronnen, zoals een oven of grill, worden aangelegd.
- De behuizing en het toestel moeten goed bevestigd zijn voordat ze in gebruik worden gesteld.
- **Als een opslagruimte voor pannen onder het toestel wordt aangebracht, moet gezegd worden dat brandbaar materiaal niet in aanraking kan komen met de onderkant van de brander. Doe dit door gebruik te maken van een loze achterplaat of een scherm. Dit scherm moet kunnen worden verwijderd om onderhoud mogelijk te maken.**
- Om te voorkomen dat ongunstige luchtdruk de werking van de oven nadelig beïnvloedt, is het belangrijk dat de oven opgebouwd wordt op een onafhankelijke kast die niet is aangesloten op extern geventileerde kamers in aangrenzend meubilair, anders dan gasafvoer van de juiste afmeting.
- Openingen voor kabels en pijpwerk moeten de juiste maat hebben om lekkage tussen compartimenten tot een minimum te beperken. Er moet echter steeds worden voldaan aan de specifieke ventilatievereisten in deze handleiding.

Kastafmetingen (figuur 1 & 2)

Vlak stellen – Plaats een waterpas op een bakplaat op een rek in de oven.

Afmetingen van kooktoestel (figuur 3)

Alle maten zijn nominaal en kleine afwijkingen zijn te verwachten. De 'diepte' van het kooktoestel die vermeld is, is gemeten tot de voorkant van het voorpaneel, exclusief de knoppen en handgrepen.

Afmetingen van tussenruimte

- Boven het werkblad mag geen ononderbroken legplank of overhang van brandbaar materiaal aangebracht zijn op een afstand van minder dan 450mm of 600mm (wanneer deksel aanwezig is). Voor installatie aanwijzingen voor onderbroken legplanken, zie Furnuizen.
- Men dient een minimale afstand van 70mm in stand te houden tussen de kookplaat en zijwanden / brandbaar oppervlak.
- Niet-brandbare of met geschikt niet-brandbare materialen bedekte oppervlakken mogen minder speelruimte hebben. Raadpleeg Stoves voor richtlijnen.
- Voor installaties met een scherm aan de achterkant van het apparaat dient een minimale afstand van 55mm aangehouden te worden.
- Wanneer het apparaat niet voorzien is van een deksel, moet de installateur een warmteschild monteren - gemaakt van een niet-brandbaar materiaal - tegen de achterwand.
- Laat een opening onder het toestel, met een verwijderbare plint, om ruimte te houden voor de gasaansluiting.

Het toestel is ontworpen om te kunnen passen tussen twee eenheden. Schuif het toestel tussen de eenheden en zorg ervoor dat de afmetingen en patronen overeenkomen met het schema. Ziet het toestel vast via de gaten in de zijkant van het voorframe.

Ventilatie – Een opening voor ventilatie van tenminste 20mm x 550mm moet worden aangebracht in de plint onmiddellijk onder het toestel. De onderkant van de oven mag niet per ongeluk aangeraakt kunnen worden nadat deze ventilatieopening is aangebracht.



Aansluiten op de gasvoevoer

Belangrijk: • Voor deze installatie moet gebruik gemaakt worden van gerand pijpwerk. • De 10mm inlaatansluiting van de gasleiding bevindt zich onderaan het toestel. Andere inlaatmaten kunnen worden aangebracht op verzoek van de klant of voor de juiste passing in het land van bestemming.

Dit toestel moet worden aangesloten op een gasvoevoersysteem. Hierdoor wordt gezorgd dat de inlaatdruk van het toestel niet verder onder de nominale druk kan dalen dan 1mbar (aardgas) of 2,5mbar (LPG).

Alle op hetzelfde systeem aangesloten toestellen worden gelijktijdig gebruikt. Openingen voor kabels en pijpwerk moeten de juiste maat hebben om lekkage tussen compartimenten tot een minimum te beperken. Er moet echter steeds worden voldaan aan de specifieke ventilatievereisten in deze handleiding.

Controleren van de brander – Na installatie moeten alle branders worden gecontroleerd om na te gaan of het toestel goed functioneert. • **Grill** – Wanneer de instructies zijn opgevolgd behoort de brander te branden met een heldere blauwe vlam zonder roetvorming (propan). Buitan kan een geel uiteinde hebben. • **Oven** – De oven moet eveneens branden zonder roetvorming, hoewel gele uiteinden mogelijk zijn wanneer butaan wordt gebruikt. • **Gaspitten** – De branders moeten branden met een heldere blauwe vlam zonder roetvorming.

Aansluiten op de stroomvoorziening

1. Dit toestel is voorzien van een stekker die geschikt is voor het land van bestemming.
2. De stekker moet worden aangebracht dat hij door de gebruiker te bereiken is.
3. De netsroomkabel moet zo worden aangebracht dat het per ongeluk in aanraking komen met de achterkant van de grill of de ovenruimte onmogelijk is.

Ingebruikname

Beluchting van de brander – alle branders zijn voorzien van vaste beluchting en aanpassing is niet mogelijk. De kookplaat en de grillbranders moeten branden met een heldere vlam. De ovenbrander kan branden met gele uiteinden wanneer butaan wordt gebruikt.

Drukafstelling – bestemmingslanden: BE, ES, FR, GB, IE, PT; G30 @ 28-30 mbar, G31 @ 37 mbar

Drukafstelling – bestemmingslanden: DK, GR, NL; G30/G31 @ 28-30 mbar

Drukafstelling – bestemmingslanden: DE, ES, GB, GR, IE, IT, PT, G20 @ 20 mbar

ONDERHOUD

Alvorens onderhoud uit te voeren: Gas- en elektrische leiding losmaken. **Na onderhoud:** Op gasdichtheid onderzoeken. **Alle onderhoudswerkzaamheden moeten door een erkende en bevoegde persoon uitgevoerd worden.**

1. Voorpaneel – a) Verwijder de bedieningsknoppen om toegang te krijgen tot de 2 schroeven aan elk uiteinde van het voorpaneel. **b)** Draai de schroeven los en trek het voorpaneel naar voren.

2. Verwijder de kookplaat – a) Verwijder de pannendragers en branderkoppen. **b)** verwijder de vier schroeven waarmee de kookplaat is vastgezet van de zijkant van de kookplaat en verwijder de bovenplaat.

3. Elektroden van gaspitten – a) Verwijder de pannendragers, de branderkoppen en branderkoppen en verwijder de bovenplaat (1, 2 en 3). **b)** Maak de bevestigingsklem van de elektrode los en koppel de elektrode los bij de ontstekingsgenerator.

4. Verwijderen van de kookplaatkraan – a) Draai de bevestigingsschroef los. Verwijder het voorpaneel en de bovenplaat (1 en 3). **b)** Alle kranen zijn zichtbaar op de kraanrails en kunnen verwijderd worden door losdraaien van de 2 schroeven, de uitlaatansluiting en de aansluiting van de vlambeveiliging. **c)** Bij hermontage van de kraan moet gezorgd worden dat de schroeven gelijkmatig worden vastgedraaid. Sommige modellen kunnen gasleidingen hebben die ingeschoven worden en een aansluiting van de vlambeveiliging die aangedrukt wordt. Ga in dit geval als volgt te werk: **a)** Verwijder de kookplaat (2). **b)** Trek de aansluiting van de thermokoppel van de kraan. **c)** Verwijder de 2 schroeven waarmee de regelaar op de kraanrails is bevestigd.

d) Til de regelaar van de kraanrails en trek hem naar voren, zodat de regelaar van de gasleiding wordt getrokken. **e)** Het regeleinde van de gasleiding moet voorzien zijn van een O-ring. Wanneer de O-ring aan het einde van de gasleiding ontbreekt, zit deze in de aansluiting van de regelaar. Haal de O-ring met een haakje naar buiten en breng hem aan op de gasleiding. De O-ring indien nodig vervangen.

5. Kookplaatinjectoren – a) Verwijder de pannensteunen en de 4 branderkoppen en koppen. De injectoren zijn nu toegankelijk in de branderkoppen.

6. Ontstekingschakelaar – a) Verwijder het voorpaneel en de bovenplaat (1). **b)** Koppel de kabels van de schakelaar los. **c)** Beveeg de schakelaar heen en weer om hem los te maken van de beugel van de kraanrails.

7. Verwijderen van de kraan van de grill (indien aanwezig) – a) Verwijder het voorpaneel en de bovenplaat (3). **b)** Koppel de gasleiding los van de achterzijde van de kraan. **c)** Draai de twee bevestigingsschroeven los en verwijder de kraan van de rails. **d)** Controleer de conditie van de afdictring; deze vervangen, indien nodig. Na de kraan weer te hebben aangebracht moet gecontroleerd worden of de aansluitingen aan beide einden van de gasvoevoerleiding in correct zijn.

8. Grillbrander, elektrode en injector (indien aanwezig) – a) Verwijder de schroef van het linker einde van de steun van de grillbrander. **b)** Verwijder de thermokoppel van de brandbeveiliging aan het rechtereinde van de brander en trek de elektrodekabel los. **c)** De grillinjector is nu bereikbaar aan de rechterkant van de grillopening. Vervang de afdictring van de grillinjector, indien nodig.

9. Thermostaat / gecombineerde grill (indien aanwezig) – a) Verwijder het voorpaneel en de bovenplaat (1 en 3). **b)** Maak de thermostaatkolf los van de 2 klemmen aan de voorkant van de kop van de oven. **c)** Breng het buisje omhoog door de opening in de kop van de oven en de opvangbak. **d)** Maak de gasvoevoerleidingen en de vlambeveiliging los van de achterkant van de thermostaat. **e)** Draai de 2 bevestigingsschroeven los waarmee de thermische schakelaar is bevestigd. Verwijder de schakelaar.

10. Thermische schakelaar – a) Verwijder de bovenplaat (3). **b)** Maak de kabels van de thermische schakelaar los. **c)** Verwijder de twee schroeven waarmee de thermische schakelaar is bevestigd. Verwijder de schakelaar.

11. Koelventilator – a) Trek het kooktoestel uit de uitsparing. **b)** Verwijder de bovenplaat (3). **c)** Maak de aansluitklemmen van de ventilator los en schroef de 4 schroeven los waarmee de ventilator is bevestigd.

12. Ovenbrander / injector – a) Het schild van de ovenbrander vanuit de oven verwijderen door de schroef in de voorkant van het schild los te draaien. Vervolgens het schild verwijderen. **b)** Trek de kabel van de elektrode aan de linkerkant van de brander. **c)** Schroef de zeskantmoer van de voorkant van de brander los. **d)** Schuif naar voren toe van de richtschroef af en schuif vervolgens naar links om de injector te ontwerpen. **e)** Schroef de injector los. **f)** De afdictring van de grillinjector vervangen,

indien nodig.

13. Elektrode van oven – a) Verwijder de kabel van de elektrode. **b)** Draai de 2 schroeven van de elektrodesteun los met een vuistschroevendraaier nr. 1.

DANSK

Gem denne håndbog til senere brug i forbindelse med servicering, eller til andre personer, som ønsker at anvende apparatet.

INLEDNING

Denne "Stoves"-serie kan fås med eller uden gnisttænder.

Vigtigt! Dette apparat skal installeres i overensstemmelse med de gældende regler og på et tilstrækkeligt udluftet sted. Læs vejledningen, før De installerer eller bruger apparatet. Som med alle andre gasapparater anbefales det, at Deres apparat serviceres med jævne mellemrum. • Alt installations-, service- og vedligeholdelsesarbejde skal udføres af en kompetent person, som overholder de gældende regler, standarder og krav. • Disse anvisninger gælder kun, hvis enheden bærer symbolet for dit land. Hvis det ikke er tilfældet, kan du få de nødvendige oplysninger om ændringer af enheden, så den passer til brug i dit land, i de tekniske anvisninger.

Udluftning Brug af et gaskogepåred medfører varme- og fugtdannelse i det rum, hvor apparatet er installeret. Sørg for, at køkkenet er tilstrækkeligt udluftet, og hold naturlige udluftningskanaler åbne, eller installer en mekanisk udluftningsanordning (emhætte). Langvarig og omfattende brug af apparatet kan kræve mere effektiv udluftning, f.eks. ved at forøge den tilgængelige, mekaniske udluftning.

Tænder af brænding - Tændingen må ikke benyttes i mere end 15 sekunder. Hvis brænderen ikke tændes inden for 15 sekunder, må tændingen ikke længere bruges, ellers skal den tændes igen. Hvis tændingen ikke tændes inden for 15 sekunder, skal du prøve at tænde brænderen. Hvis brænderflammen går ud ved en fejltagelse, skal du afbryde gasforsyningen til brænderen ved hjælp af betjeningsknappen. Du må ikke tænde brænderen igen i mindst 1 minut.

Flammesikring – Flammesikringen (FSD) afbryder gasforsyningen, hvis flammen skulle gå ud.

Blæseren – Når komfuret tændes, kan du eventuelt høre, at blæseren starter. Blæseren holder frontpanelet og betjeningsknapperne afkølet under grilning/modlavning og fortsætter med at køre i op til 15 minutter efter, at komfuret er blevet slukket. Hvis der opstår strømsvigt eller fejl i blæseren, må komfuret ikke bruges. Hvis der opstår fejl i blæseren, afbrydes gassen til grillbrænderen af en indbygget sikkerhedskontakt. Dette forhindrer, at komfuret bliver for varmt, hvis blæseren svigter. Hvis dette sker, skal du kontakte kundesupport. Hvis frontpanelet og drejeknappen bliver for varme, kan dette betyde, at blæseren ikke virker – kontakt kundesupport.

SIKKER ANVENDELSE

Forsigtig! I forbindelse med tilberedning, skal børn holdes på afstand af apparatet.

• **Advarsel:** God ventilation er afgørende for, at driften af alt gasudstyr forgår på sikker vis. Bloker ikke ventilationsåbningerne ved en fejltagelse eller med vilje.

• Denne enhed er fremstillet til brug som køkkenudstyr i private huse og må ikke bruges til noget andet formål.

• Hold alle brændbare materialer (såsom gardiner, møbler, viskestykker og tøj) på afstand af apparatet.

• Apparats dele kan blive varme under eller umiddelbart efter brug. Giv apparatet tilstrækkelig tid til at køle af efter slukning.

• Dæk ikke reguleringskanalerne til med viskestykker, da dette udgør en brandfare.

• Undgå hudkontakt med eventuel damp ved åbning af apparatets dør, da dette udgør en brandfare.

• Brug ikke sølvpapir til at dække grillpanden, eller til at pakke grillmadvarer ind i, da dette udgør en brandfare.

• Brug ikke ovnen, hvis dorens indvendige glasplade er fjernet (gælder kun ovne med glasdøre).

• Brug ovenhåndsker til at tage varme køkkenredskaber ud af ovnen eller grillen. Ovnen/grillen og køkkenredskaber bliver meget varme under brug.

• Læg ikke sølvpapir på ovnpladerne, og undgå at blokere ovnens udluftningskanal, da dette udgør en brandfare og forhindrer luftcirkulation.

• I forbindelse med tilberedning af tunge madvarer, som f.eks. kalkuner, bør man undlade at trække ovnpladen ud, hvis madvarerne stadig står på pladen.

• Hvis komfuret er forsynet med et opbevaringsrum under ovnen, bør dette kun bruges til at opbevare ovnplader, riste o.a. Undlad at opbevare brændbare materialer i opbevaringsrummet.

• Hvis der bruges fedt eller olie i tilberedningen, må apparatet aldrig efterlades uden opsyn.

• Stil pander og gryder, så håndtaget ikke kan nås af børn og ikke rager ind over enheden, og så man ikke kan komme til at støde til dem ved et uheld.

• Brug gryder/pander med en flad bund på minimum 100mm i diameter og maksimum 200mm i diameter, som står ordentligt fast, og undlad at bruge gamle, udelagte gryder / pander eller gryder / pander, der er ustabile, når de placeres på et fladt underlag.

• Anbring pander og gryder over midten af hver brænder, så de står forsvaret på grydegritteret. Hvis en mindre gryde/pande er placeret skævt i forhold til brænderen, kan den blive ustabil.

• Hvis der er et grydeopbevaringsrum under enheden, skal du sørge for, at brændbart materiale ikke kan komme i kontakt med undersiden af brænderen, ved at bruge en ekstra skærm. Denne skærm skal kunne fjernes, så der kan udføres vedligeholdelse eller reparation.

• Brug aldrig apparatet til at opvarme et lokale.

• Hvis apparatet er installeret i en campingvogn eller beboelsesvogn, skal det sikres, at grillpanden er forsvaret pakket væk, før man kører.

• I tilfælde af, at der spildes fedt eller falder brændende madvarer med bag apparatet, anbefales det at belægge området under ovnen med et passende, ubrændbart materiale.

Når man har afsluttet modlavningen, skal man kontrollere, at alle kontrolknapper er slukkede.

KOGEPLADEN

Tænding - Tryk på betjeningsknappen, og drej den mod uret til fuld varme. Hold betjeningsknappen inde, og tryk på tændingskontakten, eller hold en tændstik eller et stearinlys hen til brænderen. Betjeningsknappen må ikke holdes inde i mere end 15 sekunder. Hvis brænderen ikke tændes inden for 15 sekunder, skal betjeningsknappen slippes, og du skal vente mindst 1 minut, før du prøver at tænde brænderen igen. Hvis brænderens flammer slukkes ved en fejl, skal du afbryde gasforsyningen til brænderen ved hjælp af betjeningsknappen. Du må ikke tænde brænderen, før der er gået mindst 1 minut. Få sekunder efter, at flammen er tændt, åbnes sikkerhedsventilen og betjeningsknappen kan slippes. Drej betjeningsknappen til den ønskede indstilling. Komfuret slukkes ved at trykke på betjeningsknappen og dreje den med uret, indtil prikken på betjeningsknappen er under prikken på frontpanelet.

Kogning ved lav blus – Kogning ved lav blus er markeret med det lille flammesymbol. Når komfuret er tændt, skal den valgte betjeningsknop drejes mod uret forbi det store flammesymbol (fuld varme) og hen til det lille flammesymbol.

Når du sætter grydegritter på plads, skal du sikre, at fingrene er placeret centralt i forhold til brænderne. Brug altid den mest passende brænderstørrelse til den anvendte gryde/pande. Brug gryder / pander med flade bunde på minimum 100mm i diameter og maksimum 200mm i diameter, som står ordentligt fast. Undlad at bruge gamle eller udelagte gryder/pander, da de kan blive ustabile.

Vigtigt: Hvis der spildes væsker, skal disse tørres op med det samme for at formindskes risikoen for, at der kommer væske ind i enheden.

GRILLEN

• **Bemærk:** Døren skal være åben, når grillen anvendes.

• Blæseren aktiveres, når lågen til grillen åbnes.

• **Forsigtig!** Tilgængelige dele kan blive varme, når grillen anvendes - små børn skal holdes på afstand.

• Dæk aldrig grillpanden eller -risten med sølvpapir, og lad aldrig fedt ophobe sig på grillpanden, da dette udgør en brandfare.

• Hold alle brændbare materialer på afstand af apparatet.

Tænding af grillen - Åben lågen til grillen. Tryk på tændingskontakten, og drej grillbetjeningsknappen til fuld varme, og hold den inde. Betjeningsknappen må ikke holdes inde i mere end 15 sekunder. Hvis brænderen ikke tændes inden for 15 sekunder, skal betjeningsknappen slippes, og du skal vente mindst 1 minut, før du prøver at tænde brænderen igen. Få sekunder efter, at flammen er tændt, åbnes sikkerhedsventilen og betjeningsknappen kan slippes. Drej betjeningsknappen til den ønskede indstilling. Når der ønskes en lavere temperatur, kan grillen skrues ned til en lavere indstilling ved at dreje betjeningsknappen mod uret, forbi det store flammesymbol (fuld varme) og hen til det lille flammesymbol. Komfuret slukkes ved at trykke på betjeningsknappen og dreje den, indtil prikken på betjeningsknappen er under prikken på frontpanelet.

Hvis brænderens flammer slukkes ved en fejl, skal du afbryde gasforsyningen til brænderen ved hjælp af betjeningsknappen. Du må ikke tænde brænderen, før der er gået mindst 1 minut.

Aftageligt grillpandehåndtag (hvis apparatet er udstyret med et sådant) - Placer håndtaget (med skjoldet øverst) over kanten af grillpandens fordybning, så det griber fast midt mellem de to gribeudskæringer. Fjern håndtaget ved at sætte grillpanden ned og løfte håndtaget en smule op, samtidig med at det går langs med fordybningen. For at opnå de bedre resultater skal grillen altid forvarmes i 4 minutter. Når man har afsluttet grilningen, skal man kontrollere, at kontrolknappen er slukket.

OVNEN

• **Forsigtig!** I forbindelse med tilberedning skal børn holdes på afstand af apparatet.

• Placer ikke sølvpapir på ovnpladerne, da dette udgør en brandfare og kan forhindre varmecirkulation.

• Hold alle brændbare materialer på afstand af apparatet.

Tænding af ovnen - Åben ovnlågen, tryk på betjeningsknappen til ovnen, og drej den mod uret til fuld varme. Hold betjeningsknappen inde, og tryk på tændingskontakten, eller hold en tændstik eller et stearinlys hen til brænderen. Betjeningsknappen må ikke holdes inde i mere end 15 sekunder. Hvis brænderen ikke tændes inden for 15 sekunder, skal betjeningsknappen slippes, og du skal vente mindst 1 minut, før du prøver at tænde brænderen igen. Hvis brænderens flammer slukkes ved en fejl, skal du afbryde gasforsyningen til brænderen ved hjælp af betjeningsknappen. Du må ikke tænde igen, før der er gået mindst 1 minut. Få sekunder efter, at flammen er blevet tændt, åbnes sikkerhedsventilen og betjeningsknappen kan slippes. Drej betjeningsknappen til den ønskede indstilling. Komfuret slukkes ved at trykke på betjeningsknappen og dreje den med uret, indtil prikken på betjeningsknappen er under prikken på frontpanelet.

Stegevejledning	Tilberedningstid
Tilberedning i ovn ved gasmærke 5	(cirka) (for varmet ovn)
Oksekod	Let stegt Mellemstegt Gennemstegt
Lammekod	Mellemstegt Gennemstegt
Svinekod	
Fjerkræ	

20 minutter pr. 450g kod + 20 minutter
25 minutter pr. 450g kod + 25 minutter
30 minutter pr. 450g kod + 30 minutter
25 minutter pr. 450g kod + 25 minutter
30 minutter pr. 450g kod + 30 minutter
20 minutter pr. 450g kod + 20 minutter
20 minutter pr. 450g kod + 20 minutter



RENGØRING

Forsigtigt! Forkert anvendelse af rengøringsmiddel kan forårsage beskadigelse af apparatet. Lad altid apparatet køle af, før det rengøres. Brug ikke kaustisk soda, slibepulver, groft ståluld eller andre hårde redskaber til at rengøre apparatet, da disse kan beskadige overfladerne. Alle apparatets dele kan rengøres med en opvredt klud og varmt sæbevand.

Brænderhætter og -dyser **Vigtigt!** Lad brænderne køle af, før de rengøres. **Forsigtigt!** Kogebænder kan beskadiges af iblodsætning, vask i vaskemaskine (eller iblodsætning i vaskemaskinepulver/-væsker) og rengør med kaustisk soda, hårde genstande, groft ståluld og slibende rengøringsmidler. For at sikre, at brænderne fungerer korrekt og forsvarligt, skal rillerne i brænderdysen, hvorfra gasflammerne udgår, holdes fri for madrester. Rengør dysen med en nylonbørste, skyl den under en vandhane, og tør den grundigt af. Rengør brænderne med et mildt, flydende skurepulver, eller brug en fugtig sæbevamp. **Bemærk: Faste brændere (hvis de medfølger):** Nogle modeller har faste brændere. Disse brændere sidder fast på kogesektionen med 2 skrue. Faste brændere skal rengøres, mens de sidder på plads. Sørg for, at mellemrummet mellem brænderen og kogepladen ikke blokeres af fedt.

Dele af glas (hvis den medfølger) DØRRPANELER, KONTROLPANEL Brug ikke slibende rengøringsmidler eller pudsemidler. Brug et mildt, flydende skurepulver. Skyl grundigt efter med vand, og tør panelerne af med en blød klud. Det indvendige dørpanel af glas kan fjernes med henblik på rengøring. Åbn døren helt, hold fast i bund- og topkanterne, og tag glaspladen ud. Glaspladen sættes i igen ved at holde den plan og lige, placere den i rillerne i dørpanelet og skubbe den på plads.

Malede dele, plastdele og guldfarvede dele (hvis apparatet er udstyret med sådanne) DØRRAMME OG -HÅNDTAG, KONTROLKNAPPER Brug kun en ren klud opvredt i varmt sæbevand.

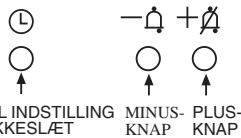
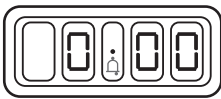
Emaljerede dele GRILLPANDE, OVN-/GRILLRUM, OVERLØBSBEHOLDER på KOGEPLEDE, PANDESTØTTER Brug et mildt, flydende skurepulver.

Forkromede dele GRILLVARMEEGEMME, PLADER, PLADEBERE Brug ikke slibende rengøringsmidler eller pudsemidler. Brug en fugtig sæbevamp. Pladelerne kan fjernes med henblik på rengøring. Tag fat i løberne, og tag dem ud af gribehullerne som vist på tegningen.

Overflader af rustfrit stål (kun modeller af rustfrit stål) Brug kun en ren klud, der vredet op i varmt sæbevand, og tør efter med en tør klud. Brug ikke ufortyndet blegemiddel eller produkter, der indeholder klorid, da de gør uoprettelig skade på stålet. Visse madvarer virker ætsende, f.eks. eddike, frugtjuice og salt, og disse kan lave mærker på det rustfrit stål eller beskadige det, hvis de får lov til at ligge på overfladen i længere tid. Tør spildte madvarer op med et mundtørklæde. Spidse genstande kan lave mærker i overfladen på det rustfrit stål, men dette vil blive mindre tydeligt med tiden.

SÅDAN BRUGES MINUTURET

Startdisplay



Tidsuret har indstillingerne klokkestået (24-timers-ur) og alarmindstilling for minutter.

Indstilling af klokkestået

1. Tænd for strømmen til ovnen. Displayet blinker.
2. Tryk klokkestået-knappen ind og slip den igen.
3. Indstil klokkestået ved hjælp af plusknappen/minusknappen.
4. Tidsuret vil blive stillet 7 sekunder senere end sidste tryk på plus-/minusknap.

Alarmsignaler

Efter indstilling af klokkestået, kan der vælges ét af tre alarmsignaler.

Det første signal kan høres ved at trykke minusknappen ind og det andet signal ved at slippe minusknappen og trykke den ind igen o.s.v. Når minusknappen slippes efter at et signal har lydt, vælges dette signal automatisk.

Indstilling af minutter

1. Tryk plusknappen ind og slip den igen for at skifte fra visning af klokkestået til minutsfunktion - klokkesymbolet lyser.
2. Brug plusknappen/minusknappen til at indstille, hvor lang tid, der skal gå, før alarmer skal lyde. Den i displayet viste tidsperiode øges/mindkes med 10 sekunder for hvert tryk på plusknappen/minusknappen, indtil der vises 99 minutter og 50 sekunder; når displayet viser 1 time og 40 minutter eller værdier derover, øges/mindkes den viste tidsperiode med 1 minut for hvert tryk. Den maksimale indstillingsperiode er 10 timer. Displayformatet ændres efter 99 minutter og 50 sekunder til 1 time og 40 minutter. Ved minutsfunktion er det denne, der vises i displayet. Den tid, der resterer indtil alarmtidspunktet, vises (i "minutter: sekunder" eller i "timer: minutter"). Når indstillingsperioden er udløbet, lyder alarmsignalet i 7 minutter - signalet kan afbrydes ved at trykke én gang på en hvilken som helst af knapperne.

Hvis minuturets indstilling ønskes annulleret på noget andet tidspunkt, reduceres indstillingsperioden til nul ved hjælp af minusknappen. Displayet vil derefter vise klokkestået.

INSTALLATION

Vigtigt: Denne enhed må kun installeres i overensstemmelse med gældende bestemmelser og kun i rum med god udluftning. Læs instruktionerne inden installation eller brug af enheden.

Regler og standarder - Dette apparat skal installeres i overensstemmelse med bruglandets gældende regler. Alle gasapparater skal installeres og serviceres af kompetente personer.



Advarsel: God ventilation er altafgørende for, at driften af alt gudsdyr foregår på sikker vis. Designet og placeringen af de specialfremstillede ventilationsåbninger er udformet på en måde, så risikoen for, at de blokeres ved et uheld eller med vilje, er meget lille.

Vigtigt!

- Selvom vi har været omhyggelige med at undgå ujævnheder og skarpe kanter på dette produkt, bør komfuret håndteres forsigtigt - vi anbefaler brug af handsker under installationen.
- Komfuret må ikke hvile på frontrammens monteringshuller.
- Når komfuret indbygges, skal den midlertidige bagplade fjernes fra køkkenelementet for at opnå den nødvendige dybde til installationen.
- Sørg for, at brændbart materiale ikke kan komme i kontakt med ovenns fod og brænderkassen.
- Løft ikke komfuret ved at holde i lågens håndtag.
- Sørg for, at komfuret er gastæt efter installationen.
- Sørg for, at alle elektriske kabler føres forbi tilstedeværende varmekilder, f.eks. en ovn eller en grill, med god afstand.
- Sørg for, at komfurets hus er fastgjort korrekt, før ibrugtagning.
- **Hvis der er et grydeopbevaringsrum under komfuret, skal du sørge for, at brændbart materiale ikke kan komme i kontakt med undersiden af brænderen ved at bruge en midlertidig bagplade eller en skærm. Skærmen skal kunne fjernes, så der kan udføres vedligeholdelse eller reparation.**
- For at forhindre, at ovenns ydelse påvirkes af ugunstige lufttryksforhold, er det vigtigt, at ovenheden indbygges i et skab, der ikke har forbindelse til andre eksternt ventilerede kamre i andre skabe, og som har gasventilationshuller af den rette størrelse.
- Huller til kabler og rørsystemer skal laves, så de minimerer luftpassagen mellem kamrene. De specifikke ventilationskrav i denne brugervejledning skal dog fortsat opfyldes.

Mål på kabinet (figur 1 og 2)

Niveaustjustering - placer et vaterpas på en bageplade, og sæt den på en ovenhyld.

Mål på gaskomfur (figur 3)

Alle mål er nominelle, og der kan forekomme forskelle. Gaskomfurets dybde er målt fra frontpanelets forside og er eksklusivt knapper og håndtag.

Sikkerhedsafstande

- Hylder eller overhæng i brændbare materialer skal være mindst 450 eller 600mm over kokkenbordet (hvis apparatet er forsynet med et låg). I forbindelse med installation af mindre hylder henvises der til Stoves Limited.
- Der skal være en sikkerhedsafstand på mindst 70mm mellem kogesektionen og eventuelle sidevægge/brændbare overflader.
- Sikkerhedsafstanden kan være mindre for brandsikre overflader eller overflader, der er beskyttet med passende brandsikkert materiale. Kontakt Stoves for at få flere oplysninger.
- Hvis der er en persienne eller lign. på bagsiden af enheden, skal der være en sikkerhedsafstand på mindst 55mm.
- Hvis enheden ikke har et låg, skal installatøren montere et varmeskjold af brandsikkert materiale på bagvæggen.
- Lav et mellemrum under komfuret med en flytbar sokkel, så det er muligt at få adgang til gasstilførslen.

Komfuret er konstrueret til placering mellem to enheder. Når målene er som på tegningen og tilslutningerne er foretaget, skal komfuret skubbes ind mellem enhederne. Fastgør komfuret ved hjælp af hullerne i siden på frontrammen.

Ventilation - Der skal være et ventilationsmellemrum på 20mm x 550mm i soklen umiddelbart under komfuret. Sørg for, at det ikke er muligt at komme til at berøre ovenns underside, når der gøres plads til dette mellemrum.

Tilslutning til gasforsyningen

Vigtigt: • Der skal bruges rifled rør til denne installation. • Nederst på komfuret findes et 10mm-gasindløsrør. Der kan monteres andre størrelser efter ønske, eller hvis det er påkrævet i det land, hvor komfuret anvendes.

Dette komfur skal installeres i et gasforsyningssystem. Dette sikrer, at komfurets indgangstryk ikke kan falde til under det nominelle tryk med mere end 1 mbar (naturgas) eller 2,5 mbar (flaskegas).

Alle enheder, der er tilsluttet det samme system betjenes samtidigt.

Huller til kabler og rørsystemer skal laves, så de minimerer luftpassagen mellem kamrene. De specifikke ventilationskrav i denne brugervejledning skal dog fortsat opfyldes.

Kontrol af brænderen - Efter installationen skal alle brændere kontrolleres for at sikre, at komfuret fungerer korrekt. • **Grill** - I henhold til brugervejledningen skal brænderen brænde med en klar, blå flamme og uden tilsodning (propan). Butan kan give gule flammespidser. • **Ovn** - Ovnens skal også brænde uden tilsodning, men ved brug af butangas er det sandsynligt, at flammespidserne vil være gullige. • **Kogesektion** - Brænderne skal brænde med en klar, blå flamme uden tilsodning.

Tilslutning til elforsyningen

1. Dette komfur er monteret med et stik, der passer til det pågældende land.
2. Stikket skal placeres, så det er tilgængeligt for brugeren.
3. Lysnetkablet skal føres på en sådan måde, at det ikke kan komme i kontakt med grillens bagside eller ovenrummet.

Ibrugtagning

Brænderventilation - Alle brændere har en fast ventilation, der ikke kan justeres. Brænderne til kogeplade og grill skal brænde med en klar, blå flamme. Ovnbrænderen kan have gullige flammespidser, når der bruges butan.

Trykindsstillinger - Lande: Belgien, Spanien, Frankrig, Storbritannien, Irland, Portugal: G30 ved 28 til 30 mbar, G31 ved 37 mbar.

Trykindsstillinger - Lande: Danmark, Grækenland, Holland: G30/G31 ved 28 til 30 mbar.

Trykindsstillinger - Lande: Danmark, Spanien, Storbritannien, Grækenland, Irland, Italien, Portugal: G20 ved 20 mbar.

INSTRUKTIONER VEDR. KONVERTERING TIL NATURGAS

Denne konvertering skal foretages af en autoriseret tekniker og i overensstemmelse med gældende bestemmelser. Der henvises til serviceinstruktionerne vedr. afmontering af dele. Efter konvertering af enheden skal alle eksisterende gasoplysninger på



dataskillet streges over, og et nyt stik skal monteres ved siden af. Konverteringssættet kan fås ved henvendelse på tlf.nr. +44 (0) 151 432 7838.

SERVICERING

For servicering - Frakobl gas- og elforsyningskilderne. **Efter servicering** - Kontrollér, at gasforsyningen er tilsluttet. **Alt servicearbejde skal udføres af en godkendt og kompetent person.**

1. **Frontpanel** - a. Træk betjeningsknapperne af for at få adgang til de to skrue, der sidder for enden af frontpanelet. b. Skru skrueerne af, og træk frontpanelet fremad.
2. **Fjern den øverste del af kogesektionen** - a. Fjern grydegitteret og brænderhoveder. b. Fjern de fire skrue, der holder kogepladen, på siden af kogepladen, og løft kogesektionen fri.
3. **Kogesektionens elektroder** - a. Fjern grydegitteret, brænderhoveder, brænderdysen, og fjern den øverste del af kogesektionen (1, 2 og 3). b. Åbn den klemme, der holder elektroden, og afmonter elektroden ved tændingsgeneratoren.
4. **Sådan fjernes en hane på kogesektionen** - a. Skru monteringskrueerne af. Fjern frontpanel og kogesektion (1 og 3). b. Alle haneer er synlige på skinnen og kan fjernes ved at afmontere de to monteringskrueer, udløbsforbindelsen og FSD-forbindelsen (2). b. Træk hanerne monteres igen, skal skrueerne spændes lige meget. Eller: Nogle modeller har gasindløsrør, der kan trykkes ind, og FSD-forbindelser til at trykke på ved regulatorerne. Hvis disse er monteret, skal du gøre følgende: a. Fjern kogesektionen (2). b. Træk termoelementforbindelsen af hanen. c. Fjern de to skrue, der holder regulatoren på skinnen. d. Løft regulatoren af skinnen, og træk fremad, så regulatoren trækkes af gasindløsrøret. e. Der skal sidde en O-ring på gasindløsrørets regulatorer. Hvis O-ringen ikke er på rørets ende, kan den findes indvendigt i regulatorforbindelsen. Tag O-ringen ud, og monter den på gasindløsrøret, udskift O-ringen, hvis det er nødvendigt.
5. **Dyser på kogesektionen** - a. Fjern grydegitteret og de fire brænderdæksler og -hoveder. Dyserne er nu tilgængelige i brænderkålene.
6. **Tændingskontakt** - a. Afmonter frontpanelet og kogesektionen (1). b. Afmonter ledningerne fra kontakten. c. Bevæg kontakten fra side til side for at frigøre den fra skinnebeslaget.
7. **Sådan fjernes grillens hane (hvis monteret)** - a. Afmonter frontpanelet og kogesektionen (3). b. Fjern gasforsyningsrøret fra den bagste del af hanen. c. Skru de to skrue af, og fjern hanen fra skinnen. d. Kontrollér pakningens tilstand, og udskift den, hvis det er nødvendigt. Når hanen monteres igen, skal det kontrolleres, om forbindelserne i begge ender af forsyningsrøret er gastætte.
8. **Grillbrænder, elektrode og dyse (hvis monteret)** - a. Fjern skrue på venstre side af beslaget til grillbrænderen. b. Fjern FSD-termoelementet i brænderens højre side, og træk ledningen til elektroden af. c. Grilldysen er nu tilgængelig i højre side af grillrummet. d. Udskift pakningskiven til grilldysen, hvis det er nødvendigt.
9. **Termostat/kombineret grillhane (hvis monteret)** - a. Fjern frontpanel og kogesektion (1 og 3). b. Fjern termostatafslæren ved hjælp af de to klemmer i ovenløbet. c. Før hårrøret op gennem huller i ovenløbet og spilbakken. d. Fjern gasforsyningsrøret og FSD'er på termostats bagside. e. Skru de to monteringskrue af, og fjern termostaten fra skinnen. f. Kontrollér pakningens tilstand, og udskift den, hvis det er nødvendigt.
10. **Varmekontakt** - a. Fjern den øverste del af kogesektionen (3). b. Fjern ledningerne fra varmekontakten. c. Fjern de to monteringskrueer, der holder varmekontakten på plads. Fjern kontakten.
11. **Blæser** - a. Træk komfuret ud af fordybningen. b. Fjern den øverste del af kogesektionen (3). c. Afmonter blæserens klemmer, og fjern de fire skrue, der holder blæseren.
12. **Ovnbrænder/dyse** - a. Afmonter skærmen til ovnbrænderen indefra ved at fjerne skrue foran skærmen og løfte den af. b. Træk ledningen af elektroden i venstre side af brænderen. c. Skru sekskantmøtrikken foran på brænderen af. d. Styreskrueen skrues forsigtigt af. Skub derefter brænderen til side for at få adgang til dysen. e. Skru dysen af. f. Udskift pakningskiven til grilldysen, hvis det er nødvendigt.
13. **Ovnelektrode** - a. Fjern ledningen fra elektroden. b. Skru de to skrue af elektrodebeslaget med en lille skruestrækker.

SVENSKA

Spar denna handbok för framtida bruk. Lämna den till framtida ägare.

INLEDNING

Valet av utrustning ska göras med respektive utans inbyggd tändanordning.

Viktigt: • Utrustningen får endast installeras i enlighet med gällande föreskrifter, och bara på plats med god ventilation. Läs anvisningarna innan utrustningen används. • Liksom för all annan gasutrustning så rekommenderar vi regelbunden service. • Allt installations-, service- och underhållsarbete ska utföras av behöriga personer och i enlighet med gällande lagar, föreskrifter och normer.

Dessa instruktioner gäller endast om ländsymbolen finns på apparaten. Om symbolen saknas på apparaten, ska du läsa instruktionerna som innehåller nödvändig information om anpassning av apparaten till kraven på användning i landet.

Ventilation - När en gaspis används genereras värme och fukt där den är installerad. Se till att köket är väl ventilerat. Se till att naturliga ventilationsöppningar inte täpps igen och installera eventuellt extra mekanisk ventilation (en mekanisk utsugningsfläkt). Om utrustningen används intensivt under längre tidsperioder kan effektiv ventilation erfordras, exempelvis i form av ökad effekt hos förekommande mekanisk ventilation.

Tända brännare - Använd inte tändanordningen längre än 15 sekunder. Om brännaren inte har tänt efter 15 sekunder, stoppa tändningen, öppna ugnsluckan och vänta i minst 1 minut innan du försöker tända brännaren igen. Om brännaren har släckt av misstag, stäng av den med brännarvredet och vänta i minst 1 minut innan du försöker tända den igen.

Slockningskydd - Slockningskyddet stänger av gasstillförseln om lågan skulle slockna av någon anledning.

Kylfläkt - när spisen är påslagen kan du höra att kylfläkten startar. Den kylar panel och vred under grillning och stekning och fortsätter att gå upp till 15 minuter efter att spisen släcks av. Använd inte spisen under strömavbrott eller om kylfläkten inte fungerar. Om kylfläkten skulle gå sönder så är spisen försedd med en säkerhetsanordning som stänger av gasen till grillbrännaren. Det förhindrar att spisen blir för varm om fläkten skulle gå sönder. Kontakta kundservice i dessa fall. Om panel och vred blir mycket varmt kan det bero på att fläkten inte fungerar - ta kontakt med kundservice.



SÄKER, INTE BESVIKEN

Försiktighet: Håll barn borta från spisens närhet när du använder den.

- **Varning:** God ventilation är viktig vid användning av gasapparater. Se till att alla ventilationsöppningar är öppna och inte har blockerats av misstag.
- Den här produkten är avsedd för normalt hushållsbruk och ska inte användas för andra ändamål.
- Håll allt brännbart material (till exempel gardiner, inredningsdetaljer, kökshanddukar och kläder) borta från spisen.
- Delar av spisen kan bli mycket varma när den används, och fortsätter att vara det ett tag efter. Det tar ett tag innan den svalnar.
- Häng inte kökshanddukar över ventilationsöppningarna, eftersom fara för brand då föreligger.
- Håll dig undan från eventuell utströmmande ånga när du öppnar ugnsluckan.
- Täck inte långpannan med aluminiumfolie, och placera ingenting som omsluts av aluminiumfolie under grillen, eftersom fara för brand då föreligger.
- Använd inte ugnen utan att luckans inre glasskiva sitter på plats (gäller endast ugnsluckor försedda med glas).
- Använd grytvantar när du tar ut varma kokkärl och formar ur ugnen eller grillen. Kokkärl och formar blir mycket varma i ugnen/grillen.
- Klä inte in ugnsgallren med folie, och se till att ventilationsöppningarna inte täcks över av folie, eftersom fara för brand då föreligger och cirkulationen hindras.
- Vid tillredning av större matvaror, till exempel kalkoner, ska ugnsgallret inte dras ut med maten kvar på gallret.
- Om det finns ett förvaringsutrymme under ugnen ska detta endast användas för förvaring av elfasta formar. Förvara aldrig något brännbart i detta utrymme.
- Lämna aldrig spisen obevakad när du lagar mat med fett eller olja.
- Vrid kastrullhandtag så att barn inte kan nå dem, och så att de inte sticker ut utanför spiskanten och kan nös av misstag.
- Använd stabila kokkärl med en flat botten och med en diameter på minst 100 och högst 200mm. Använd inte gamla, deformerade kokkärl eller kokkärl som inte står stadigt på en plan yta.
- Placera kastruller på stöden mitt ovanför brännarna. Mindre kokkärl kan bli instabila om de inte står mitt på.
- Om det finns ett kastrullskåp under spisen, se till att inget brännbart material kommer i kontakt med underdelen av brännaren genom att använda ett skydd. Det ska vara möjligt att lossa skyddet vid service.
- Använd aldrig spisen för att värma upp rummet.
- När spisen används i en husvagn eller husbil måste långpannan stuvras på ett säkert sätt innan du börjar koka.
- Vi rekommenderar att golvytan under ugnen täcks med ett lämpligt icke brännbart material som skydd mot fett som spills och eventuellt brinnande föremål som ramlar ut.

Kontrollera att alla vred står i avstängt läge när du är klar med matlagningen.

HÄLLEN

Tändning - Tryck in vredet och vrid det moturs till läget 'max'. Håll vredet intryckt och tryck samtidigt på tändknappen eller håll en brinnande tändsticka eller gaständare intill brännaren. Håll inte vredet intryckt mer än 15 sekunder. Om brännaren inte har tänts efter 15 sekunder, släpp vredet och vänta minst en minut innan du försöker tända brännaren igen. Om brännaren har släckts av misstag, stäng av den med vredet och vänta minst en minut innan du försöker tända den igen. Några sekunder efter att lågan har tänts öppnas en säkerhetsventil och du kan släppa vredet. Vrid brännarvredet till önskad inställning. Stäng av brännaren genom att trycka in brännarvredet och vrid det medurs tills pricken på vredet befinner sig under pricken på panelen.

Sjudning - låg värme är markerat med en liten flamsymbol. När brännaren har tänts vrids brännarvredet moturs förbi den stora flamsymbolen (max) till den lilla flamsymbolen.

När du placerar pannstöden, se till att brännarna befinner sig i mitten av stöden. Välj alltid en låga som passar storleken på den kastrull du använder. Använd flatbottade kastruller med en diameter på minst 100 och högst 200mm, som står stabilt på spisen. Använd inte gamla och deformerade kastruller, eftersom de kan vara instabila.

Viktigt: Torka bort eventuell utspilld vätska så att den inte rinner in i spisen.

GRILLEN

- **OBS:** Luckan får inte vara öppen när grillen används.
- Kylliketen fortsätter att gå när grillluckan är öppen.
- **Försiktighet: Åtkomliga delar kan bli varma när grillen används. Håll småbarn borta från spisen.**
- Täck aldrig över långpannan eller ett galler med ugnsolie, och se till att fett inte samlas i långpannan, eftersom fara för brand då föreligger.
- Håll allt brännbart material borta från spisen.

Tända grillen - Öppna grillluckan. Tryck på tändknappen, vrid grillvredet till maxläge och håll det intryckt. Håll inte vredet intryckt mer än 15 sekunder. Om brännaren inte har tänts efter 15 sekunder, släpp vredet och vänta minst en minut innan du försöker tända brännaren igen.

Några sekunder efter att lågan har tänts öppnas en säkerhetsventil och du kan släppa vredet. Vrid brännarvredet till önskad inställning. Du kan minska grillens temperatur genom att vrida brännarvredet moturs, förbi den stora flamsymbolen (max), till den lilla flamsymbolen, om du behöver lägre värme.

Stäng av brännaren genom att trycka in vredet och vrida det medurs tills pricken på vredet befinner sig under pricken på panelen.

Om brännaren har släckts av misstag, stäng av den med vredet och vänta minst en minut innan du försöker tända den igen.

Löststagbart långpannehandtag (om sådant ingår) - Placera handtaget (med skölden vänd uppåt) över kanten på långpannan, vid urtaget, och skjut in det på plats mitt emellan de två ubuktningarna. För att ta ut handtaget ställer du ner långpannan, lyfter handtaget en aning och skjuter ut det i urtaget.

Förvärm alltid grillen i fyra minuter för bästa möjliga resultat.

Kontrollera att vredet står i avstängt läge när du har grillat klart.

UGNEN

- **Försiktighet: Håll barn borta från spisens närhet när du lagar mat.**
- Använd inte folie på ugnsgallren, eftersom risk för brand då föreligger, och värmecirkulationen kan hindras.



- Håll allt brännbart material borta från spisen.

Tända ugnen - Tryck in brännarvredet och vrid det moturs till maxläge. Håll vredet intryckt och tryck samtidigt på tändknappen eller håll en brinnande tändsticka eller gaständare intill brännaren. Håll inte vredet intryckt mer än 15 sekunder. Om brännaren inte har tänts efter 15 sekunder, släpp vredet och vänta minst en minut innan du försöker tända brännaren igen.

Om brännaren har släckts av misstag, stäng av den med vredet och vänta minst en minut innan du försöker tända den igen.

Några sekunder efter att lågan har tänts öppnas en säkerhetsventil och du kan släppa vredet.

Vrid brännarvredet till önskad inställning.

Stäng av brännaren genom att trycka in brännarvredet och vrid det medurs tills pricken på vredet befinner sig under pricken på panelen.

Ugnssteking Tillaga i ugnen på inställning	Ungefärlig tillagningstid (förvärm ugn)
Nötkött Blodigt Medel Välstekt	20 minuter per 450g, + 20 minuter 25 minuter per 450g, + 25 minuter 30 minuter per 450g, + 30 minuter
Lammkött Medel Välstekt	25 minuter per 450g, + 25 minuter 30 minuter per 450g, + 30 minuter
Fläskkött	20 minuter per 450g, + 20 minuter
Fjädersä	20 minuter per 450g, + 20 minuter

RENGÖRING

Försiktighet: Felaktig användning av rengöringsmedel kan skada spisen. Vänta tills ugnen är kall innan du gör ren den. Använd inte frätande rengöringsmedel, nötande pulver, grov ställull eller hårda redskap eftersom de skadar spisens yta. Alla spisens ytor kan riskfritt rengöras med en urvriden trasa som doppats i varmt tvålatten.

Brännaröverfall och -huvuden **Viktigt:** Vänta tills brännaren svalnat innan du gör ren den. **Försiktighet:** Brännaren kan skadas av alltför mycket vatten, maskindiskmedel (och diskpulver / flytande diskmedel), frätande rengöringsmedel, hårda redskap, grov ställull och nötande pulver. För att brännarna ska fungera på ett säkert sätt måste öppningarna i brännarhuvudet hålls fria från avsättningar. Rengör med nylonborste och skölj och torka omsorgsfullt. Rengör med ett mildt flytande rengöringsmedel, eller använd en fuktad svamp med tvål. **OBS:** Fasta brännare (om monterade). Vissa modeller har fasta brännare. Dessa brännare är fästa i hållen med 2 skruvar. Fasta brännare ska rengöras på plats. Se till att avståndet mellan brännare och värmeplatta inte sätts igen av rester.

Glaskomponenter (om monterad) LUCKPANELER, REGLAGEPANEL Använd inte nötande rengöringsmedel eller polermedel. Använd ett mildt flytande rengöringsmedel. Skölj omsorgsfullt och torka med en mjuk trasa. Luckans inre glasspanel kan tas loss för rengöring. Öppna luckan helt, ta tag i panelens över- och underkant och skjut ut den. Håll panelen inlindad mot skärorna i sidan på luckan innan den skjuts tillbaka på plats.

Målade delar, plastdelar och guld-färgade delar (i förekommande fall) LUCKANS KÄRM och HANDTAG, VREDEN Använd endast en urvriden trasa som doppats i tvålatten.

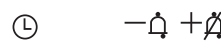
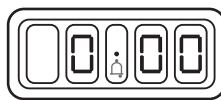
Emaljerade hårda komponenter LÅNGPANNAN, VÄRMESKIVET, UGNENS/GRILLENS INSIDA, HÄLLETS FÖRÖPPNING, SPISGALLER Använd ett mildt flytande rengöringsmedel.

Förkroade delar GRILLGALLETT, PLÅTARNAN, PLÅTSKENORNA Använd inte nötande medel eller polermedel, utan använd i stället en svamp som doppats i tvålösning. Fatta tag i skenorna och dra ut dem ur upphängningshålen så som framgår av illustrationen.

Ytor av rostfritt stål (endast modeller av rostfritt stål) Använd endast en ren trasa fuktad med varmt vatten med diskmedel, torka av med torr mjuk trasa. Använd inte outspätt blekmedel eller rengöringsmedel som innehåller klor, då det kan skada stålet. Vissa livsmedel är korrosiva, som vinäger, fruktjuicer och salt, och kan lämna märken på eller fräta på rostfritt stål om de lämnas på ytan under längre tid. Torka bort utspilld vätska omedelbart. Vassa objekt kan lämna märken på ytor av rostfritt stål, men märkena blir mindre synliga med tiden.

ANVÄNDA UGNENS TIDUR

Startpanel



AKTUELL TID MINUSKNAPP PLUSKNAPP

Med hjälp av tiduret ställer du in larmklockslaget (24-timmarsklocka).

Ställa in aktuellt klockslag

1. Slå på strömmen till enheten. Siffrorna börjar blinka.

2. Tryck ned och släpp knappen "Aktuell tid".

3. Ställ in aktuellt tid med plus- och minusknapparna.

4. Tiden ställs in 7 sekunder efter den sista tryckningen på plus- eller minusknappen.

Larmtoner

När du har ställt in larmtidpunkten kan du välja en av tre larmtoner.

Tryck på minusknappen för att lyssna på den första tonen, släpp sedan knappen och tryck på den igen för att lyssna på den andra tonen, osv.

När du släpper minusknappen efter en ton så väljs den tonen automatiskt.

Ställa in tiduret

1. Tryck ned och släpp plusknappen för att ändra visningen från vanlig klocka till tidur - klocksymbolen tänds.



2. Använd plus- och minusknapparna till att ställa in larmtidpunkten. Värdet på panelen ökar eller minskar med 10 sekunder i taget upp till 99 minuter och 50 sekunder, och ökar sedan med 1 minut i taget från 1 timme och 40 minuter. Den längsta period som kan ställas in är 10 timmar.

Efter 99 minuter och 50 sekunder ändras visningen till 1 timme och 40 minuter.

Under nedräkningen visas tiduret på panelen, som visar (minuter: sekunder eller timmar: återstående tid i minuter).

När nedräkningen är klar ljuder signalen under 7 minuter. Återställ signalen med ett tryck på valfri knapp.

Stoppa tiduret vid valfri tidpunkt genom att räkna ned tiden med minusknappen.

Panelen återställs till att visa aktuellt klockslag.

INSTALLATION

Viktigt: Apparaten får endast installeras i enlighet med gällande regler och endast i välventilerade utrymmen. Läs instruktionerna före installation eller användning av apparaten.

Föreskrifter och normer - Spisen måste installeras i enlighet med lokalt gällande föreskrifter. Gasspisar måste alltid installeras och repareras av behörig person.

Varning: God ventilation är viktig vid användning av gasapparater. Se till att alla ventilationsöppningar är öppna och inte har blockerats av misstag. Ventilationsöppningarnas konstruktion och placering ska vara sådan att minsta möjliga risk för tilltäppning uppstår, av misstag eller med avsikt.

Viktigt:

- Vi har gjort vårt bästa för att släpa bort grader och skarpa kanter på spisen, men var försiktig när du monterar den - vi rekommenderar att du använder skyddshandskar under installationen.
- Undvik att belasta fasthålen i frontamen med vikten hos spisen.
- När spisen byggs in ska den extra baksidan tas bort så att den får plats.
- Se till att inga brännbara ämnen kan komma i kontakt med ugnens undersida eller brännarlådan.
- Lyft inte spisen i luckhandtagen.
- Se till att spisen är gastät efter installation.
- Se till att alla elkablar befinner sig på säkert avstånd från närliggande värmeväxlare som ugn eller grill.
- Se till att spisens hölje och själva spisen är ordentligt fästa innan den ska börja användas.
- **Om det finns ett kastrullskåp under spisen, se till att inga brännbara ämnen kan komma i kontakt med undersidan av brännaren genom att använda en extravägg eller ett skydd. Det måste gå att ta bort skyddet för service.**
- Undvik att ugnen påverkas av omgivande lufttryck. Det är viktigt att ugnsdelen monterats på ett fristående skåp utan anslutning till yttre ventilation i närliggande skåp. Den får endast anslutas till ventilationsöppningar av rätt dimension.
- Håll för kablar och rör ska vara anpassade för att minimera läckage mellan närliggande skåp. De specifika kraven på ventilation i den här instruktionsboken måste alltid följas.

Skåpmått (Figur 1 och 2)

Avvägning - Placera ett vattenpass på en bakplåt på ugnsgallret.

Spismått (Figur 3)

Alla mått är nominella och vissa variationer kan förekomma. Djupet på spisen är inklusive frontpanel, men utan vred och handtag.

Frigångsmått

- Ingen fast hylla eller utskjutande inredningsdel av brännbart material får komma närmare spisens ovsida än 450 eller 600mm (med locket på plats). Kontakta Stoves Limited för installationsanvisningar avseende delhyllor.
- Avstånd ska vara minst 70mm mellan håll och sidovägg/brännbar yta.
- Icke-brännbara ytor eller ytor som är skyddade med lämpligt icke-brännbart material kan medge minskade avstånd. Se Spisar för vägledning.
- För installationer med skärm får det minsta avstånd vara 55mm.
- När apparaten saknar lock, ska installatören montera ett värmeskydd av icke-brännbart material på den bakre väggen.
- Lämna en öppning under spisen med hjälp av en lös sockel så att det går att komma åt gasanslutningen.

Spisen är konstruerad för att monterats mellan två skåp. Skjut in spisen mellan skåpen sedan du har kontrollerat att måtten och placeringen av stöden stämmer med ritningen. Fäst spisen med hjälp av hålen i sidan av frontramen.

Ventilation - ett ventilationsgrop på minst 20mm x 550mm ska göras i sockeln direkt under spisen. Se till att det inte går att komma åt undersidan av ugnen av misstag när du gör ventilationsgropen.

Ansluta gasmatning

Viktigt: • Gasrör måste användas för installationen. • Röret för gasanslutningen (10mm) sitter under spisen. Andra anslutningsmått kan monteras på kundens begäran eller för ett specifikt land.

Spisen ska anslutas till en gasmatning. Det innebär att matningstrycket till spisen inte kan falla med mer än 1 mbar (naturgas) eller 2,5 mbar (gasol) från nominellt tryck. All utrustning som är ansluten till samma system kan användas samtidigt.

Håll för kablar och rör ska göras så små att de minimerar luftläckage mellan skåpen. De specifika kraven på ventilation i den här instruktionsboken måste alltid följas.

Kontroll av brännare - När alla brännare har monterats ska de kontrolleras så att spisen fungerar korrekt. • **Grill** - Enligt instruktionsboken ska brännaren brinna med en klar blå låga utan att sota (propan), lågan hos butanogas kan ha en gul kant. • **Ugn** - ugnen ska brinna utan att sota, även om en låga med gul kant kan förekomma om butan används. • **Håll** - brännarna ska brinna med en klar blå låga utan att sota.



Elektrisk anslutning

1. Spisen är utrustad med en elektrisk kontakt för aktuellt land.
2. Kontakten ska placeras så att användaren kan komma åt den.
3. Elkabeln ska dras så att den inte kan komma i kontakt med baksidan av grillen eller ugnen.

Idrifttagning

Luftning av brännare - alla brännare har luftning som inte kräver någon justering. Brännare för kokplattor och grill ska brinna med klar låga. Lågan hos ugnbrännaren kan brinna med en gul kant om butan används.

Inställning av gstryck - Land: BE, ES, FR, GB, IE, PT; modell G30, 28 - 30 mbar, modell G31 37 mbar

Inställning av gstryck - Land: DK, GR, NL; modell G30/G31, 28 - 30 mbar

Inställning av gstryck - Land: DK, ES, GB, GR, IE, IT, PT, modell G20, 20 mbar

INSTRUKTIONER FÖR OMBYGGNAD TILL NATURGAS

Den här ombyggnaden ska utföras av en auktoriserad tekniker och enligt gällande regler. Se serviceinstruktionerna för demontering av delar. När apparaten har byggts om skall de uppgifter som gäller för gas strykas på databladet och en ny etikett placeras bredvid. Kontakta +44 (0) 151 432 7838 för ombyggnadskit.

SERVICE

Före service - Koppla bort gas och el. **Efter service** - Kontrollera att gasen är inkopplad på rätt sätt. **Endast behörig tekniker får utföra service på spisen.**

1. Panel - **a.** Dra loss vreden så att du kommer åt de två fästskruvarna på var sida av panelen. **b.** Lossa skruvarna och dra panelen framåt.

2. Lossa håll - **a.** Ta bort kastrullstöden och brännarhuvudena. **b.** Lossa de fyra fästskruvarna i hållens kanter och lyft upp hållen.

3. Tändelektroder - **a.** Ta bort kastrullstöd, brännarhuvuden, brännarskydd och lossa hållen (1, 2, 3). **b.** Ta loss klamret som håller elektroden och lossa den från gnistgeneratoren.

4. Lossa hållventil - **a.** Lossa fästskruven. Ta bort panel och håll (1, 3). **b.** Alla ventiler i ventilblocket syns. Demontera dem genom att lossa de två fästskruvarna, anslutningen till utloppet och gasanslutningen. **c.** Efter montering av ventilen, se till att skruvarna är jämnt åtdragna. Vissa modeller har snabbkopplingar och påskjutbara gasanslutningar till vreden, gör då så här: - **a.** Ta bort hållen (2). **b.** Ta loss termoelementet från ventilen. **c.** Ta bort de två fästskruvarna som håller ventilblocket. **d.** Lyft ventilen från ventilblocket och dra det framåt, så att vredet lossar från anslutningsröret. **e.** Ventiländan av röret ska vara försedd med en o-ring, om inte o-ringen sitter på rörändan så är den kvar inne i röret, peta i så fall ut o-ringen och sätt tillbaka den på anslutningsröret. Byt ut o-ringen om det behövs.

5. Hållmunstycken - **a.** Ta bort kastrullstöd, brännarskydd och brännarhuvuden. Munstycken är nu åtkomliga i brännarskålar.

6. Tändkontakt - **a.** Lossa panel och håll (1). **b.** Lossa ledarna från kontakten. **c.** Vicka på kontakten så att den lossnar från klamret på ventilblocket.

7. Lossa grillventil (om monterad) - **a.** Lossa panel och håll (3). **b.** Ta bort röret till gasmatningen på baksidan på ventilen. **c.** Lossa de två fästskruvarna och ta bort ventilen från hållaren. **d.** Kontrollera tätningens tillstånd och byt ut den om det behövs. Kontrollera efter ventilbyte att anslutningarna är täta i båda ändar av gasmatningen.

8. Grillbrännare, elektrod och munstycke (om monterad) - **a.** Lossa skruven på vänster sida av hållaren för grillbrännaren. **b.** Ta bort termoelementet för gasol på höger sida av brännaren och lossa elektrodabeln. **c.** Grillmunstycket är åtkomligt på höger sida i grillrummet. **d.** Byt ut tätningsbrickan till grillmunstycket om det behövs.

9. Termostat/kombinerad grillventil (om monterad) - **a.** Ta bort panel och håll (1, 3). **b.** Lossa termostaten från de två klammerna i framkanten av ugnstaket. **c.** Dra kapillärroret genom hålet i ugnstaket och spillröret. **d.** Ta loss gasanslutningsrören och skalarna från baksidan av termostaten. **e.** Lossa de två fästskruvarna och ta bort termostaten från ventilhållaren. **f.** Kontrollera tillståndet hos tätningen och byt ut den om det behövs.

10. Termobrytare - **a.** Ta bort hållen. (3). **b.** Lossa ledarna från termobrytaren. **c.** Skruva loss de två fästskruvarna som håller termobrytaren. Ta bort kontakten.

11. Kyllåda - **a.** Dra ut spisen ur nischen. **b.** Ta bort hållen (3). **c.** Lossa uttagen till flåkten och skruva loss de fyra fästskruvarna som håller flåkten.

12. Ugnbrännare/munstycke - **a.** Ta bort skyddet för ugnbrännaren inifrån ugnen genom att lossa skruven på skyddet och lyft av det. **b.** Ta loss ledarna från elektroden på vänster sida av brännaren. **c.** Lossa muttern på framsidan av brännaren. **d.** Dra den framåt, på styrskruven, sedan åt vänster förbi munstycket. **e.** Lossa munstycket. **f.** Byt ut tätningen till grillmunstycket om det behövs.

13. Ugnselektrod - **a.** Lossa ledningen från elektroden. **b.** Lossa de två fästskruvarna på elektrodhållaren med hjälp av en kort skruvmejsel (nr 1).

TECHNICAL DATA

GB IE Burner	Natural Gas		LP Gas				
	Nominal Rate Qn	Injector size	NominalRate Qn	Butane G30	Propane G31	Injector	
Hob	Semi-rapid (2)	1.5kW	92	1.5kW	109g/h	107g/h	62
	Rapid	2.5kW	122	2.5kW	182g/h	179g/h	80
	Auxiliary	1.0kW	77	1.0kW	73g/h	72g/h	50
Grill		2.5kW	180 Amal	2.5kW	182g/h	179g/h	75 amal
Oven		2.5kW	1.15mm	2.5kW	182g/h	179g/h	75 amal
Total ΣQn T2		11.5kW	-	11.5kW	836g/h	822g/h	-

FR Brûleur			GPL				
			Puissance Nominale Qn	Butane G30	Propane G31	Injecteur	
Plaque de cuisson	Semi-rapides (2)	-	-	1.5kW	109g/h	107g/h	62
	Rapide	-	-	2.5kW	182g/h	179g/h	80
	Auxiliaire	-	-	1.0kW	73g/h	72g/h	50
Gril		-	-	2.5kW	182g/h	179g/h	75 amal
Four		-	-	2.5kW	182g/h	179g/h	75 amal
Total ΣQn T2		-	-	11.5kW	836g/h	822g/h	-

IT Bruciatore			GPL				
	Tasso nomin. di combust. Qn	Metano Iniettore	Tasso nomin. di combust. Qn	Butano G30	Propano G31	Iniettore	
Piano di cottura	Semirapidi (2)	1.5kW	92	1.5kW	109g/h	107g/h	62
	Rapido	2.5kW	122	2.5kW	182g/h	179g/h	80
	Auxiliare	1.0kW	77	1.0kW	73g/h	72g/h	50
Grill		2.5kW	180 Amal	2.5kW	182g/h	179g/h	75 amal
Forno		2.5kW	1.15mm	2.5kW	182g/h	179g/h	75 amal
Total ΣQn T2		11.5kW	-	11.5kW	836g/h	822g/h	-

ES Quemador	Gas Natural		GPL				
	Potencia normal Qn	Injector	Potencia normal Qn	Butano G30	Propano G31	Injector	
Placa	Semirrápidos (2)	1.5kW	92	1.5kW	109g/h	107g/h	62
	Rápido	2.5kW	122	2.5kW	182g/h	179g/h	80
	Auxiliar	1.0kW	77	1.0kW	73g/h	72g/h	50
Parilla		2.5kW	180 Amal	2.5kW	182g/h	179g/h	75 amal
Horno		2.5kW	1.15mm	2.5kW	182g/h	179g/h	75 amal
Total ΣQn T2		11.5kW	-	11.5kW	836g/h	822g/h	-

NL Brander			LP Gas				
			Nominaal vermogen Qn	Butane G30	Propane G31	Injecteur	
Kooplait	Hafsnelle (2)	-	-	1.5kW	109g/h	107g/h	62
	Snelle	-	-	2.5kW	182g/h	179g/h	80
	Hulpbrander	-	-	1.0kW	73g/h	72g/h	50
Grill		-	-	2.5kW	182g/h	179g/h	75 amal
Ovnen		-	-	2.5kW	182g/h	179g/h	75 amal
Total ΣQn T2		-	-	11.5kW	836g/h	822g/h	-

DK Brænder	Lavtryksgas		Gasol				
	Nominal effekt Qn	Insprutare	Nominal effekt Qn	Butangas G30	Propangas G31	Insprutare	
Kogeplade	Halvlivlige (2)	1.5kW	92	1.5kW	109g/h	107g/h	62
	Livlig	2.5kW	122	2.5kW	182g/h	179g/h	80
	Hjælpebrænder	1.0kW	77	1.0kW	73g/h	72g/h	50
Grill		2.5kW	180 Amal	2.5kW	182g/h	179g/h	75 amal
Ovn		2.5kW	1.15mm	2.5kW	182g/h	179g/h	75 amal
Total ΣQn T2		11.5kW	-	11.5kW	836g/h	822g/h	-

SE Brännare	Naturgas		LP Gas				
	Nominell effekt Qn	Insprutare	Nominell effekt Qn	Butan G30	Propan G31	Insprutare	
Hällen	Halvsnabb (2)	1.5kW	92	1.5kW	109g/h	107g/h	62
	Snabb	2.5kW	122	2.5kW	182g/h	179g/h	80
	Hjälprännare	1.0kW	77	1.0kW	73g/h	72g/h	50
Grillen		2.5kW	180 Amal	2.5kW	182g/h	179g/h	75 amal
Ugnen		2.5kW	1.15mm	2.5kW	182g/h	179g/h	75 amal
Total ΣQn T2		11.5kW	-	11.5kW	836g/h	822g/h	-

(GB) TECHNICAL DATA

Data badge - Abbreviated data badge - Lower part of front frame. Main data-badge - on RH upper side member.

Pressure test point - Use the oven injector

Aeration - Fixed

Appliance class - Class 2 Subclass 2

Electrical supply - 220 - 240V ~ 50Hz, 11W **Warning** - This cooker must be earthed, if mains powered.

Spark generator - (Models with ignition only) Mains operated 6 outlet controlled by a single push button switch at the side of the fascia to individual electrodes.

Hob - May have burner heads and caps which are removable. Some versions may have head and caps fixed with screws. Flame supervision - thermoelectric.

Grill - Radiant plate. Flame supervision - Thermoelectric. Spark gaps = 2 - 4mm.

Oven - Oven burner is sheet steel, with pierced ports in stainless steel flame strip. Spark Gaps = 3 - 5mm. Flame supervision - Thermoelectric. Thermostat phial - Front, centre of oven roof.

Important note: Please refer to the appliance data badges for the appliance gas category, the type of gas and pressure couple for which the appliance is actually adjusted for.

(GB) Countries of destination (FR) Pays de destination (IT) Paesi di destinazione (ES) Países de destino (NL) Landen van bestemming (DK) Bestemmelseslande (SE) Destinationsländer	Gas Category Catégorie de gaz Categoria di gas Categoria de gas Gaskategorie Gaskategori Gaskategori	Gas type / pressure setting Gaz / réglage de pression Regolazione di pressione Punto de ajuste de presión Drukinstelling Trykinstilling Tryckinställning
FR, GB, IE, IT, ES GB, IE GB, IE, IT, ES	I3+ I2H II2H3+	G30/G31 @ 28-30/37mbar G20 @ 20mbar G20 @ 20mbar & G30/G31 @ 28-30/37mbar
NL, DK, SE DK, SE	I3B/P II2H3B/P	G30/31 @ 28-30mbar G20 @ 20mbar & G30/31 @ 30mbar

(FR) INFORMATIONS TECHNIQUES

Plaque signalétique - Plaque signalétique abrégée - En bas du cadre avant. Plaque signalétique principale - sur le montant latéral droit.

Point d'essai de la pression - Utilisez l'injecteur du four.

Aération - Fixe.

Classe d'appareil - Classe 2, sous-classe 2.

Alimentation électrique - 220-240V ~ 50Hz, 11W. **Attention** - Cette cuisinière est mise à la masse lorsqu'elle est alimentée sur le secteur.

Générateur d'étincelles - (Modèles avec allumage seulement). 6 générateurs secteur commandés par un bouton poussoir unique sur le côté du panneau de commande connecté aux électrodes individuelles.

Plaque de cuisson - Peut avoir des capuchons et des têtes de brûleur amovibles. Certaines versions peuvent avoir des capuchons et des têtes fixés par vis. Contrôle de la flamme - thermoelectrique.

Grill - Plaque radiante Contrôle de la flamme - thermoelectrique. Ecartement de l'allumage = 2 - 4mm.

Four - Le brûleur du four est réalisé en tôle d'acier avec orifices percés dans la bande de flamme en acier inoxydable. Ecartement de l'allumage = 3-5mm. Contrôle de la flamme - thermoelectrique. Boule de thermostat - Avant, centre du toit du four.

Note importante : Veuillez consulter les plaques signalétiques de l'appareil pour la catégorie de gaz, le type de gaz et la pression pour laquelle l'appareil est réglé.

(IT) DATI TECNICI

Targhetta dati - Abbreviazioni dati di targa - Parte inferiore del telaio anteriore. Dati di targa principali - su elemento lato superiore destro.

Punto di prova della pressione - Utilizzare l'iniettore forno

Aerazione - Fissa.

Classe dell'apparecchiatura - Classe 2, sottoclasse 2.

Alimentazione elettrica - 220 - 240 V ~ 50 Hz, 11W. **Attenzione** - Questa cucina deve essere collegata a terra, se alimentata a rete.

Generatore di scintille - Sistema a 6 uscite comandate da un singolo pulsante posto al lato del pannello per i singoli elettrodi.

Piano di cottura - Tappi e ugelli del bruciatore possono essere rimovibili. In alcuni modelli, gli ugelli e i tappi sono fissati con viti. Controllo della fiamma - termoelettrico.

Grill - Piastra riscaldante. Controllo della fiamma - termoelettrico. Spazi tra scintille = 2-4mm.

Forno - Il bruciatore del forno è di lamiera in acciaio, con portelli forati con striscia fiamma in acciaio inossidabile. Spazio per scintilla = 3-5mm. Fiala termostato - Parte anteriore, centrale del tetto forno. Controllo della fiamma - termoelettrico.

Note importanti: Fare riferimento ai dati di targa dell'apparecchiatura per la categoria gas dell'apparecchiatura, la coppia pressione e tipo di gas in base ai quali l'apparecchiatura è regolata.

(ES) DATOS TÉCNICOS

Placa de características - Placa de características abreviada: en la parte inferior del marco frontal. Placa de características principal: en el larguero superior derecho.

Punto de prueba de presión - Utilice el inyector del horno

Aireación - Fija.

Clase de aparato - Clase 2, subclase 2.

Alimentación eléctrica: 220-240V ~50Hz, 11W **Aviso:** esta cocina debe estar conectada a tierra si está conectada a la red eléctrica.

Encendido electrónico: para alimentación de la red, de seis salidas a electrodos individuales, regulado mediante un único botón situado en el costado del panel de mandos.

Placa - Puede tener coronas y tapas de quemador desmontables. Algunas versiones pueden tener coronas y tapas fijas por tornillos. Supervisión de la llama - termoelectrica.

Parilla - Placa radiante. Supervisión de la llama - termoelectrica. Distancias entre electrodo y quemador = 2-4mm.

Horno - El quemador del horno es de chapa de acero, con perforaciones en acero inoxidable para la salida de la llama. Distancias entre electrodo y quemador = 3-5mm. Bulbo del termostato: adelante, al centro del techo del horno. Supervisión de la llama - termoelectrica.

Note importante: la categoría de gas, el tipo de gas y el acoplamiento de presión para los cuales está previsto el aparato se indican en las placas de características.

(NL) TECHNISCHE GEGEVENS

Kenplaat - Afgekartte kenplaat - Onderaan het voorframe. Hoofdkenplaat - op zijbalk rechtsboven.

Drukmeetpunt - Gebruik van de oveninjector.

Beluchting - Vast.

Apparaatklasse - Klasse 2, subklasse 2.

Elektrische voeding - 220 - 240V ~ 50Hz, 11W **Waarschuwing** - Dit kooktoestel moet geaard worden wanneer netvoeding gebruikt wordt.

Vonkgenerator - 6 contactpunten op netspanning, bediend door een drukknop aan de zijkant van het voorpaneel die verbonden is met individuele elektroden.

Kookplaat - Kan verwijderbare branderkoppen en kappen hebben. Sommige versies hebben koppen en kappen die met schroeven bevestigd zijn. Vlambewaking - thermo-electrisch.

Grill - Stralingsplaat. Vlambewaking - thermo-electrisch. Vonkopening = 2 - 4mm.

Ovnen - De ovenbrander bestaat uit plaatstaal met snijgaten in een roestvrijstalen vlamstrip. Vonkopening = 3 - 5mm. Thermostaatkolf - voorkant, midden van ovenkap. Vlambewaking - thermo-electrisch.

Belangrijke opmerking: zie de kenplaten van het toestel voor de gascategorie en de drukkoppel waar het toestel op is ingesteld.

(DK) TEKNISKE SPECIFIKATIONER

Datamærke - Forkortet udgave af dataskilt - Nederst på frontrammen. Hoveddataskilt - Øverst til højre.

Tryktestpunkt - Brug af ovenynsen

Udluftning - Fast.

Enhedsklasse - Klasse 2, delklasse 2

Eforsyning - 220 til 240 V ~ 50 Hz, 11 W **Advarsel** - Dette komfur skal jordes, hvis det tilsluttes stærkstrøm.

Gnistgenerator - Tilsluttet lysnettet, kan aktiveres ved seks udløb med en enkelt trykknop på siden af frontpanelet via individuelle elektroder.

Kogeplade - Kan have aftagelige brænderhoveder og -dæksler. Nogle udgaver kan have brænderhoveder og -dæksler, der er monteret med skrue. Flammestyrt - termoelektrisk.

Grill - Varmeplade. Flammestyrt - termoelektrisk. Gnistinterval = 2 til 4mm.

Ovn - Ovnbrænderen er fremstillet i pladestål og flammeringen er af rustfrit stål. Gnistinterval = 3 til 5 mm. Termostatafæl - Forrest i ovenloftet (midt på). Flammestyrt - termoelektrisk.

Vigtigt: Se komfurets dataskilt for oplysninger om den gaskategori, gastype og tryksamling, som komfuret passer til.

(SE) TEKNISKA DATA

Dataskylt - Liten märkskylt - på nedre delen av främre ramen. Stor märkskylt - på höger sida av den övre ramen.

Tryktestpunkt - Använda ugnsmunstycke

Luftning - Fast.

apparatklasse - Klass 2, underklass 2.

Elektrisk anslutning - 220 - 240V ~ 50Hz, 11W. **Varning** - Spisen skall vara elektriskt ansluten till jord om den är ansluten till det allmänna elnätet.

Gniständare - Elektriskt styrd till sex brännare, enskilda elektroder styrda med en tryckknapp på sidan av panelen.

Hällen - Kan vara försedd med brännarrhuvuden och brännarskydd som demonteras. Vissa versioner har fastskruvade brännare och skydd. Lågövernvakning - termoelektrisk.

Grillen - Strålningsplåt. Lågövernvakning - termoelektrisk. Gnistgap = 2 - 4mm.

Ugnen - Ugnbrännaren är av stålplåt, med pressade flammhål klädda med rostfri stålplåt. Gnistgap = 3 - 5mm. Termostat - mitt på ugnstaket, längst fram. Lågövernvakning - termoelektrisk.

Viktig information: Se spisens märkskylt för vilken typ av gas spisen är avsedd för, samt gastyp och tryck som spisen är inställd för.

INSTALLATION DIMENSIONS

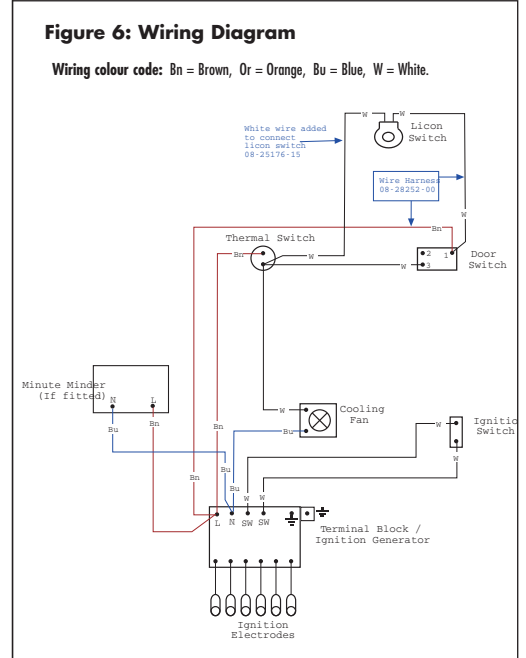
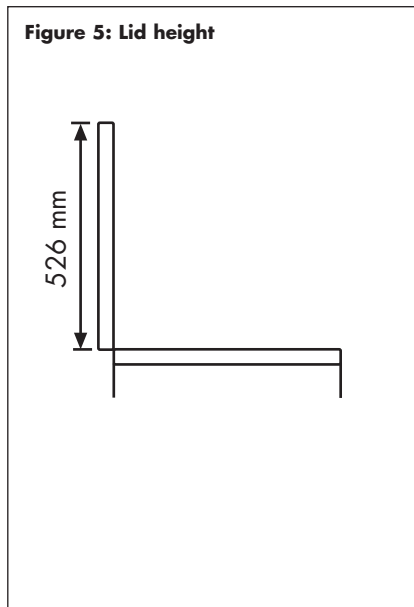
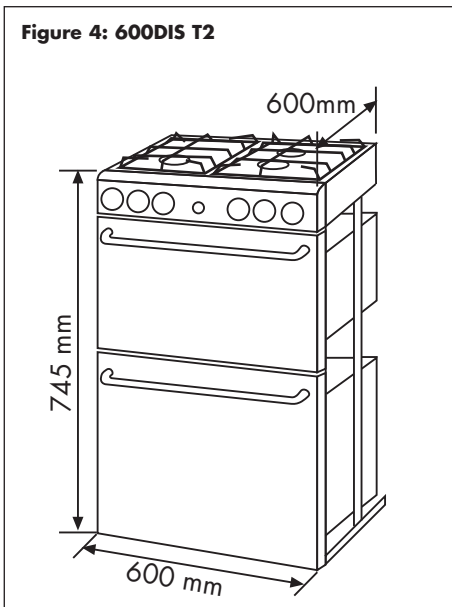
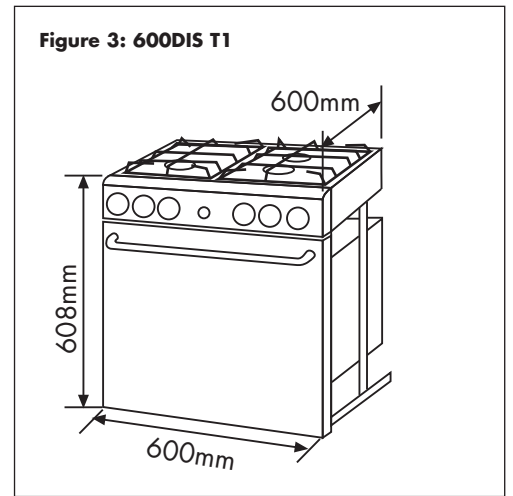
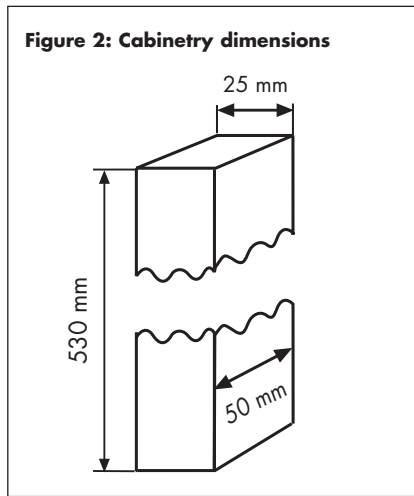
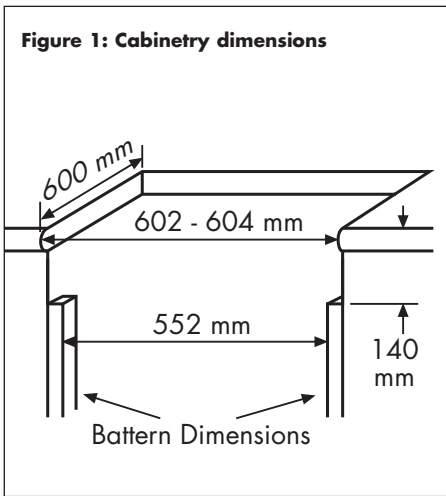


Figure 7: Grill and oven furniture

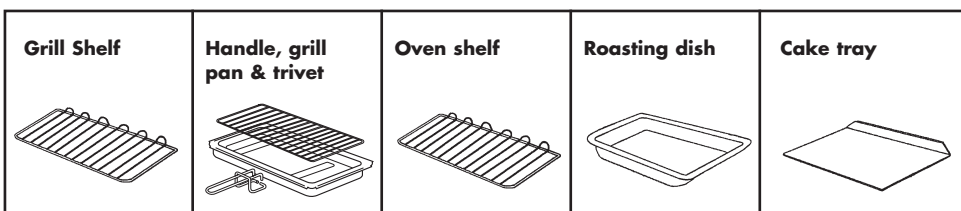


Figure 8: 600DIS/ T - T2

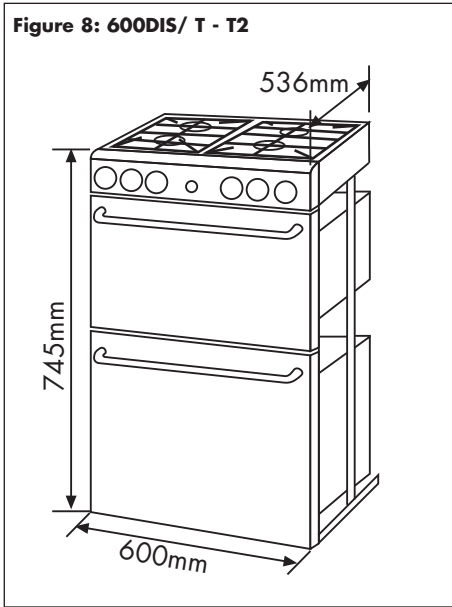


Figure 9: 600DIS/T - T2 Cabinetry dimensions

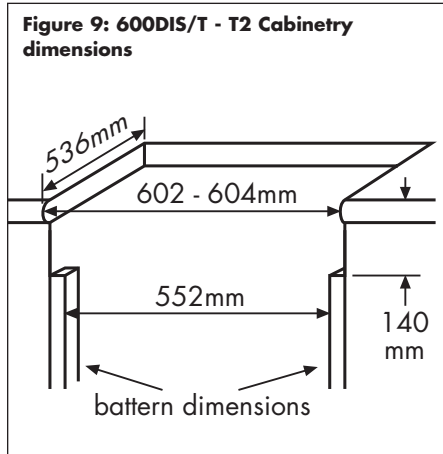
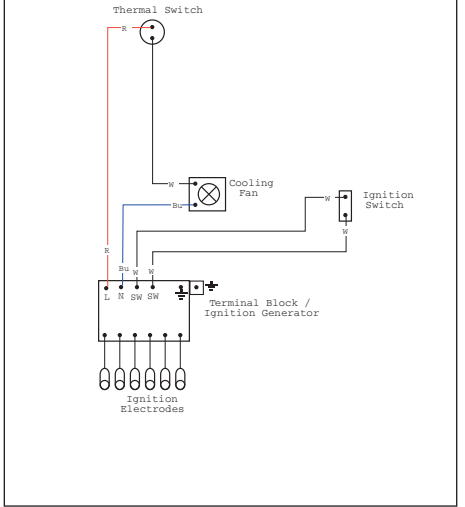


Figure 10: 600 DIS T1 Wiring diagram

Wiring colour code: Bn - Brown, Bu - Blue
Or - Orange, W - White, R - Red



STOVES LIMITED

08 25311 05 - 6.2005

STONE LANE, PRESCOT, MERSEYSIDE, L35 2XW, GREAT BRITAIN