

Users Guide & Installation Handbook



Belling
CRS60 Hob

belling[®]

think of everything

Instructions

GENERAL

Carefully read the contents of this leaflet since it provides important instructions regarding safety of installation, use and maintenance.

Keep the leaflet for possible future consultation. All the operations relating to installation (electrical connections) must be carried out by specialised personnel in conformity with the regulations in force.

SAFETY WARNINGS

It is recommended to use flat-bottom pans with a diameter equal to or slightly larger than that of the heated area. Do not use pans with a rough base to prevent scratching the heat surface of the cook top (Fig.3).

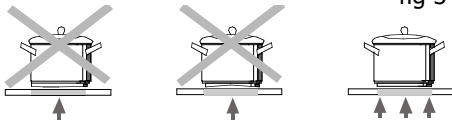


fig 3

This appliance is not suitable for use by children or persons requiring supervision. Do not let children play with the appliance.

IMPORTANT

- Avoid spilling liquid, therefore to boil or heat liquids, reduce the heat.
- Do not leave the heating elements on with empty pots and pans or without receptacles.
- When you have finished cooking, switch off the relevant heating element with the control indicated below.

ATTENTION: Steam cleaners must not be used.

WARNING: If the surface is cracked, switch off the appliance to prevent electric shock.

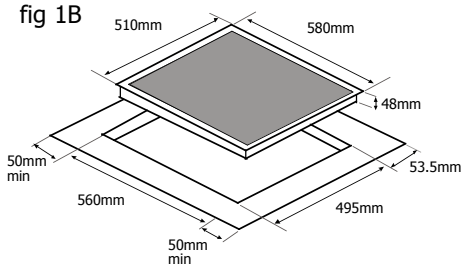
INSTALLATION INSTRUCTIONS

These instructions address specialised installers and serve as a guide for installation, adjustment and maintenance in conformity with the laws and regulations in force.

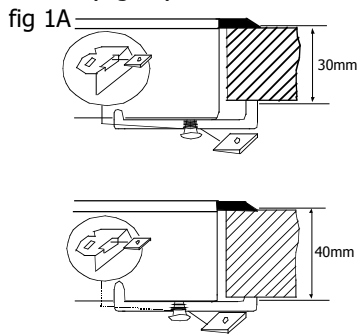
POSITIONING (Fig.1)

The domestic appliance is designed to be built into a work top as illustrated in the specific figure.

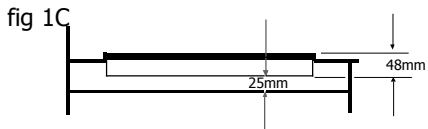
Apply sealant around the entire perimeter (cut-out dimensions Fig.1B).



Fix the domestic appliance on the work top by means of the 2 brackets provided, taking the thickness of the work top into account (Fig.1A).



If the lower part of the appliance, after installation, is accessible via the lower part of the cabinet then it is necessary to mount a separator panel respecting the distances indicated (Fig.1C).



If the appliance is installed with an oven underneath then the separator is not necessary.

Instructions

ELECTRICAL CONNECTIONS


Before making the electrical connections, check that:

- the ground cable is 2 cm longer than the other cables;
- the system ratings meet the ratings indicated on the identification plate fixed on the lower part of the work top;
- the system is fitted with efficient earthing compliant to the laws and regulations in force.

Earthing is obligatory by law.

Live should be wired to terminal 'L'.

Neutral should be wired to terminal 'N'.

Earth should be wired to terminal 'E' or 

If the domestic appliance is not fitted with a cable and/or relevant plug, use material suited to the absorption value indicated on the identification plate and the operating temperature.

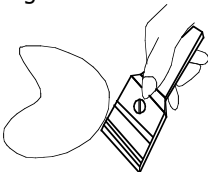
At no point must the cable reach a temperature 50°C higher than room temperature.

If wishing to make a direct connection to the mains, an omnipolar switch must be interposed with a minimum opening of 3 mm between the contacts and suited to the load indicated on the plate and conform to the regulations in force (the yellow/green ground conductor must not be interrupted by the switch). When the appliance has been installed, the omnipolar switch must be easily accessible.

USE AND MAINTENANCE

Remove any residues of food and drops of grease from the cooking surface using the special scraper supplied on request (Fig.5)

fig 5



Clean the heated area as thoroughly as possible using SIDOL, STAHLFIX or similar products and a cloth/paper, then rinse with water and dry with a clean cloth. Using the special scraper (optional) immediately remove any fragments of aluminium and plastic material that have unintentionally melted on the heated cooking area or residues of sugar or food with a high sugar content (Fig.5).

In this way, any damage to the cook top surface is prevented.

Under no circumstances use abrasive sponges or irritating chemical detergents such as oven sprays or stain remover.

USE

Use the control knobs to set the desired power. Turn them clockwise to maximum. In the case of plates with a double area, the external heating element can be switched on starting from zero and turning in an anticlockwise direction.

The hit hob lights are ON when:

- the top temperature at the Indicated spot is higher than 50°C.

THE MANUFACTURER DECLINES ALL RESPONSIBILITY FOR EVENTUAL DAMAGES CAUSED BY BREACHING THE ABOVE WARNINGS.

Belling Customer Care

0844 815 3746

