

CONTENT

BEFORE READING THE INSTRUCTIONS, UNFOLD THE LAST PAGES
OF THIS LEAFLET, CONTAINING THE ILLUSTRATIONS.

Introduction.....	2
Safety Instructions.....	3
Unpacking – Disposal/ General Advice.....	4
Description of The Appliance/ Technical Data.....	5
Installation/ Water Connection	6
Connection of Drainage Water/ Electrical Connections.....	7
Use/ Before Using the Appliance.....	8
Regulation/ Refilling of Rinse Aid.....	9
Adding the Detergent.....	10
How to Load and Unload the Dishwasher.....	11
Height Regulation of Upper Basket.....	12
Start/ Description of Control buttons	13
Programme Options.....	14
Table of Wash Programmes/ Maintenance.....	15
Cleaning of External Surface/ Table of Error Codes.....	16
What to do in the Case of Malfunctions.....	17
Service.....	18

This appliance conforms to the following EEC Directives:

Low Voltage Equipment

73/23/EEC

93/68/EEC

Electromagnetic Compatibility

89/336/EEC

92/31/EEC

93/68/EEC

For Further Details of Guarantee, See Separate Sheet

INTRODUCTION

Thank you for purchasing a new Belling dishwasher.

It features 8 programmes for ease of use, two baskets, a multi-position cutlery holder, removable saucer rack, and a salt and rinse aid indicator light.

It is important that you read this book thoroughly before using your dishwasher, paying particular attention to the installation and safety instructions.

If you have any problems with installing or operating your Belling dishwasher, please check through the relevant instructions thoroughly to make sure that you have not missed anything. If you still need help, then please write to the following address (including a daytime telephone number if possible):

Consumer Relations Department
Belling Appliances Ltd.
Talbot Road
Mexborough
South Yorkshire
S64 8AJ

CUSTOMER HELPLINE NUMBER Tel: 01709 579902

Details of how to contact a Belling Approved Service Agent, should your dishwasher ever require maintenance, can be found in the 'Service' section of this book.

Please quote the model and serial number with all enquiries.

WARNING! For your own safety, make sure that these instructions on installation, use and maintenance are followed.

We advise you to keep these instructions in a safe place for future reference.

If you sell or transfer ownership of this product, please pass on these instructions to the new owner.

After unpacking your dishwasher, make sure that you remove all the packaging from the appliance and any stickers from the door or cavity.

1 BEFORE USING THE APPLIANCE

1.1 SAFETY INSTRUCTIONS

Norms and regulations to be respected

- The dishwasher may only be used to clean household dishes. If the appliance is used for other purposes or in an incorrect manner, the manufacturer declines all responsibilities for possible damages.
- For safety reasons, no modifications should be carried out on the appliance.
- Before connecting the appliance to the electric power supply system, check that the power supply at the place of installation is compatible with the electric data indicated on the data tag.
- The installation must be carried out by qualified personnel.
The machine must be located in a frost-free environment to prevent the hydraulic components from being damaged.

Before running the appliance for the first time

- Make sure that the dishwasher has not been damaged during transportation. Do not hook up the appliance if there is any damage. In case of damage, contact the vendor.

For the safety of children

- Do not allow children to play with the appliance.
- Detergents can cause permanent damage to eyes, mouth and throat.
They should therefore be kept outside the reach of children.
- The water in the dishwasher is not drinkable. Any residues of detergent in the appliance constitute a source of danger for children. They must therefore be kept away from the open dishwasher.

Daily use

- Do not turn on the dishwasher if the electric cable, the water supply or water drainage pipes are damaged or, if the control board, the work surface or the base are in very bad condition.
- In case of a malfunction, shut off the water supply, then turn off the appliance and pull the electric plug from the outlet. If there is a permanent electric connection, turn off the service switch (if present) or remove the fuse (or fuses).
- To remove the plug from the electric outlet, hold the plug itself and pull; never pull the cable.
- All repairs of the dishwasher must be carried out by specialised personnel. Inappropriate repairs can create a severe danger for the user. For repairs, you should therefore contact our technical customer assistance service or a specialised vendor.
- The replacement of the supply cable must be carried out only by the technical service staff.
- If the pipes and tubes have deteriorated, substitute them with new, original parts before hooking up the appliance.
- Do not use detergent substances that could lead to an explosion.
- Do not sit or lean on the open door. Otherwise the appliance may tilt over.
- Before adding special dishwasher salt, detergent and rinse aid, make sure that the manufacturer of these substances recommends their use for household dishwashers.
- Always shut off the water supply when the dishwasher is not in use for longer periods of time, e.g., during your vacations.

2 UNPACKING – DISPOSAL

2.1 UNPACKING

Remove the external plastic packaging material, the corner re-enforcements, and the styrofoam base. Open the door and remove the styrofoam blocks from the inside baskets.

Collect and recycle the packaging materials. This will help preserve primary materials and help reduce the amount of waste.

Take the packaging materials to specialised recycling centres .

When the appliance eventually has to be disposed of, it should be made non-functional first.



Attention! Some packaging materials (e.g. plastic bags, styrofoam) can be dangerous to children. Children should therefore be kept away from them.

2.2 FINAL DISPOSAL OF APPLIANCE

At the end of the products life span, the appliance should be disposed of by a specialised company, respecting all existing laws and regulations.

Disposal of the product in this manor will contribute to the protection of the environment, and help sustain primary material sources.

3 GENERAL ADVICE

3.1 WASHING DISHES IN AN ECONOMIC AND ECOLOGICAL WAY

- Don't rinse your dishes under running water before placing them in the dishwasher
- To improve economy, run the dishwasher only when it is full.
- Always choose a programme that is suitable to the condition and type of dishes being used.
- You should avoid using too much detergent, dishwasher salt, and rinse aid. Refer to the dosages recommended in the usage instructions, provided by the manufacturers of these substances.
- Make sure that the water softness regulator is set correctly.

3.2 DISHES NOT TO BE WASHED IN THE DISHWASHER

You must not wash in this appliance:

- Cutting boards or small containers made from wood
- Plastic objects that are not heat resistant
- Lead crystal
- Objects made from tin or copper
- Dishes or cutlery with glued components
- Old cutlery with heat sensitive glue
- Steel objects that are oxidised easily
- Cutlery with handles in wood, horn, antler, porcelain, or mother of pearl.

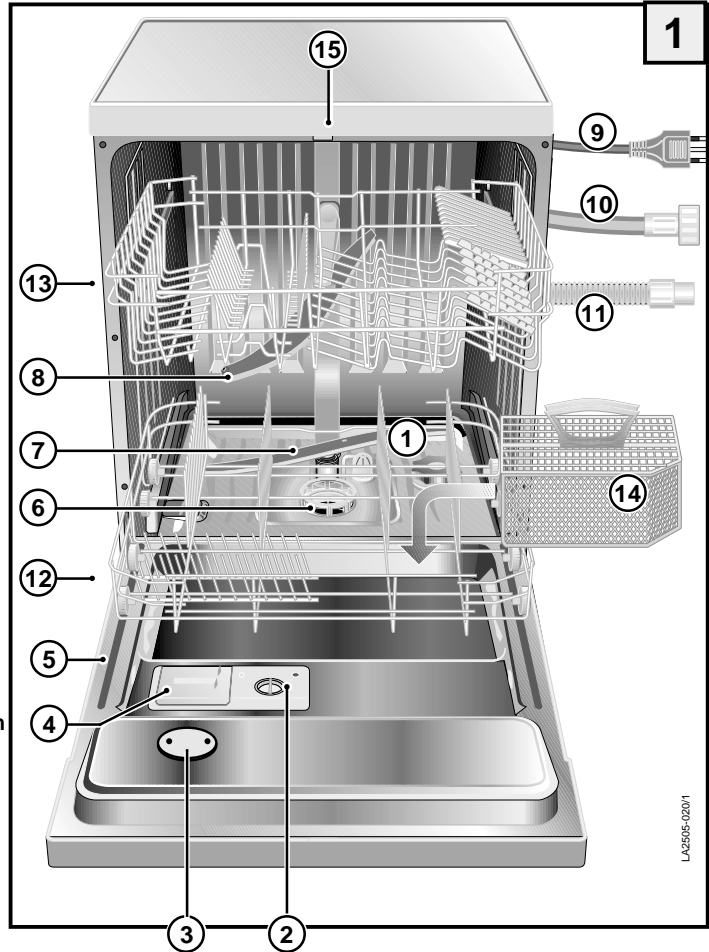


When purchasing dishes, cutlery, or glasses, make sure that they are dishwasher resistant.

4 DESCRIPTION OF THE APPLIANCE

4.1 GENERAL PARTS

- 1) salt container
- 2) rinse aid container
- 3) drying ventilator (if included)
- 4) container for detergent
- 5) data tag
- 6) filters
- 7) lower spray-rotor
- 8) upper spray-rotor
- 9) electric cable
- 10) water supply tube
- 11) water drainage tube
- 12) lower basket
- 13) upper basket
- 14) cutlery container
- 15) hook for door closing mechanism



4.2 TECHNICAL DATA

capacity (standard settings): 12
 pressure of water supply system
 minimum pressure: 0.05 Mpa
 maximum pressure: 1 Mpa

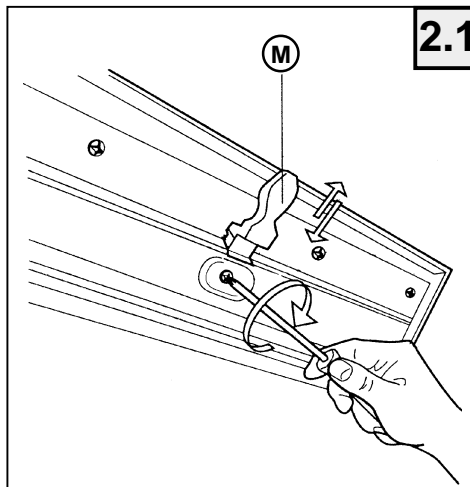
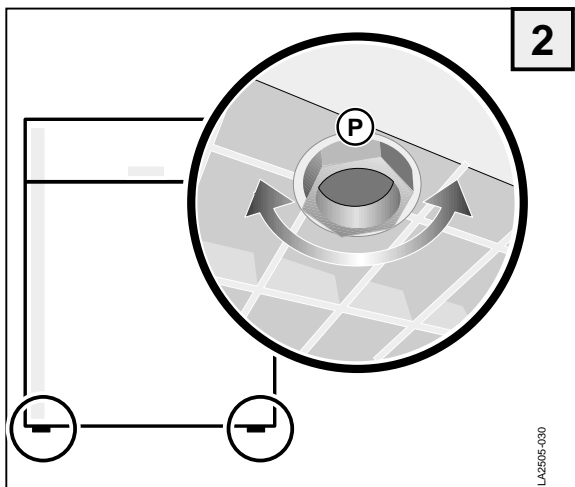


Ensure that your supply voltage is consistent with that shown on the rating plate.

0,05 - 1MPa	Model.	 12
.....A MAXW	
.....V.....Hz Made in EU		

5 INSTALLATION

5.1 LEVELLING



Place the appliance in the spot where you want to install it. Use feet **P** (unscrew or screw in) to regulate (if necessary) the height of each foot to ensure that the appliance is positioned fully level. (See figure 2).

- In order to ensure good stability, your machine must be installed under a continuous worktop, which is securely fixed.
- The machine is designed as a dishwasher and must not be used for any other purpose.
- Do not use solvents in the dishwasher
- The water inside the machine is not drinkable.
- At the end of the products servicable life, break the door closing system to prevent children closing themselves in. Cut the cable flush with the outer casing, after first removing the plug. Destroy the plug to remove any danger to others, and take the machine to the nearest recycling centre.

To achieve the best performance from your dishwasher, ensure that the appliance is completely level. Maximum error = 2 degrees

After levelling the appliance, regulate the hook of the door closing mechanism, to ensure that the door closes correctly.

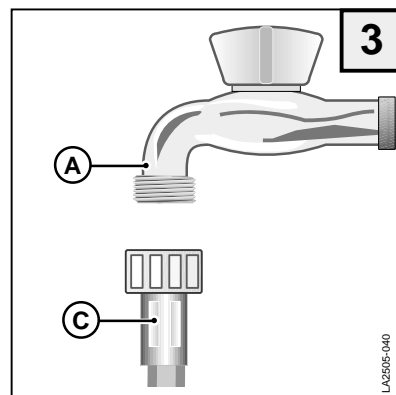
In order to obtain a good seal, adjust the door locking device accordingly.

5.2 WATER CONNECTION

The water supply tube **C**, (Supplied with the dishwasher) connects the appliance to the tap with a 3/4" attachment

The connection procedure is as follows:

- Attach tube **C** to the cold water Tap **A**.
- If the tube is being attached to new pipes that have not been used for a long time, you should let the water run for some time before attaching the tube. This is in order to make sure that dirt and rust residues are reduced to a minimum.
- Make sure that the water pressure corresponds to the range indicated on the data tag.
The appliance may be connected to the cold water system. It must not be connected to the hot water system.



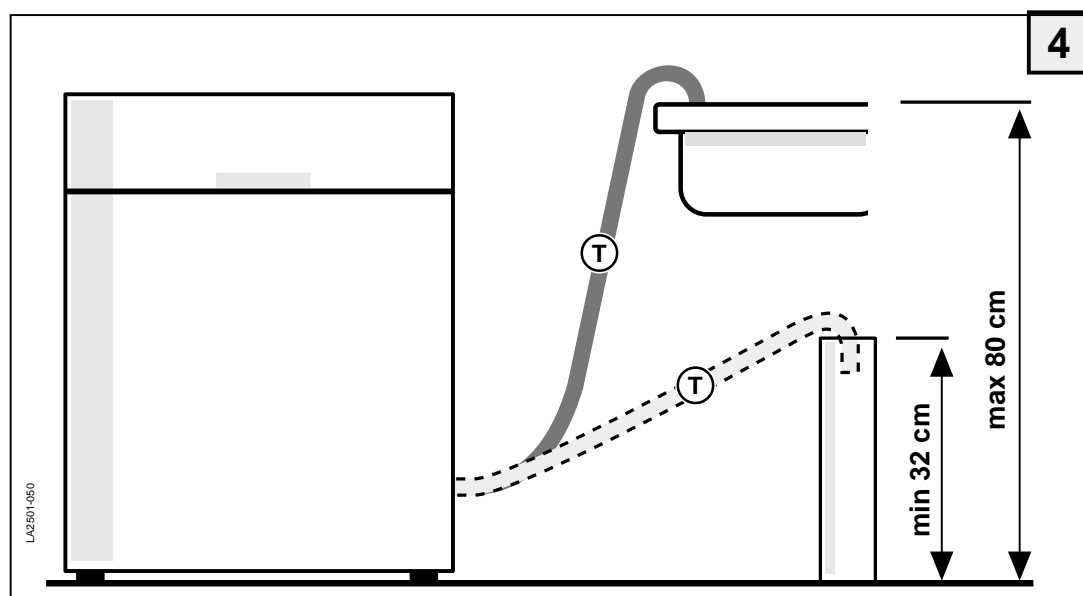
5.3 CONNECTION OF DRAINAGE WATER

The curved end of drainage tube T, (supplied with the dishwasher) should be hooked onto the edge of a sink or into a drainage pipe.

A special siphon should be used to prevent bad odours.

During the assembly, the following precautions should be taken:

- to avoid blockages, the drainage tube must not be bent;
- the tube's end, relative to the top surface of the dishwasher (fig. 4), must be placed at a height between 32 and 80 cm;
- the end of the tube must never be immersed in water;
- the drainage tube must not be extended to more than a maximum length of 1 metre. The extension must have the same internal diameter. Furthermore, the maximum height at which the tube's end can be placed (in the case of an extended tube) must be reduced from 80 to 50 cm.
- If you use a drainage pipe, make sure its internal diameter is no less than to 4 cm.



5.4 ELECTRIC CONNECTIONS

The appliance may only be connected to a properly installed electric outlet with an earth (ground) contact. The connection must be carried out in correspondence with existing laws and regulations and supplementary rules issued by the supplier of electric power.

The tension shown on the data tag must correspond to the power tension of the electric grid at the site of installation.



Attention: the necessary characteristics of the electric supply grid are indicated on the data tag.

6 USE

6.1 BEFORE USING THE APPLIANCE

Before turning on the appliance, make sure that the plug attached to the electric cable is connected to the electric outlet, the water supply tube is connected to the tap, the tap is turned on, and the drainage tube has been connected according to the instructions.

Opening of the door

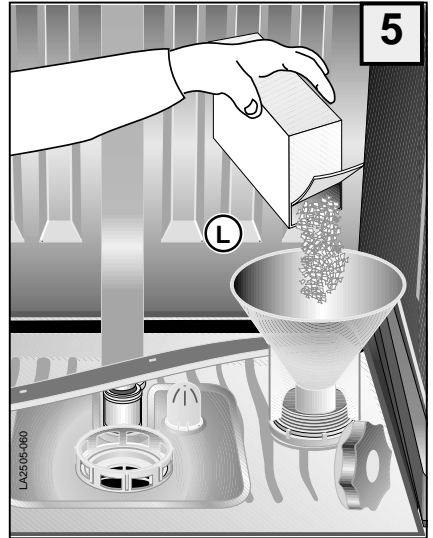
Pull the handle forward. The door should open without effort. If you pull the handle while the dishwasher is running, a safety mechanism will shut off the appliance automatically.

Adding special dishwasher salt

- Open the door and take out the lower basket.
- Remove the lid of the salt container by turning it anticlockwise.

Only during the first time you carry out this operation: fill about 1/2 litre of water into the salt container.

- Use funnel L to fill the special dishwasher salt into the container (use about 1.0-1.5 kg of salt).
- Remove possible salt residues from the opening of the container.
- Put the lid of the container back in its place by turning it clockwise.
- If you don't use the dishwasher immediately after filling the salt container, run the programme *pre-wash* to rinse away the water and salt particles that spilled over from the container.
- * The water softening system is equipped with an electric instrument that indicates the salt content level. A control light will be illuminated on the front panel (fig. 18, ⑥) of your dishwasher to indicate when it is necessary to add more dishwasher salt.



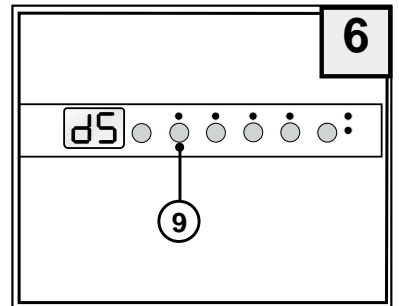
Regulation of the water softener system

For the washing process it is better to use soft water (with a low calcium content), to avoid calcium deposits on the dishes and on the inside of the dishwasher.

To reach the optimum regeneration setting, keep the button DELAY 9 (fig. 6) pressed, when turning on the appliance. The current setting will be displayed (e.g., d5). To modify the setting (within 5 seconds), press the same button again until the desired level is reached (see table).

Wait for 6 seconds without modifying the setting. A buzzer will indicate that the new setting is accepted. On the display, the request select programme will appear.

Note - See leaflet contained within the instruction pack for details of water hardness testing.)



Regeneration levels

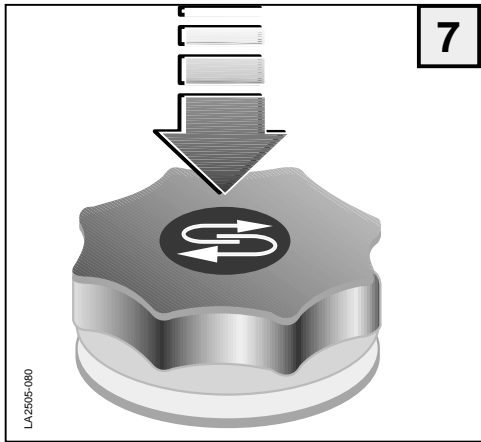
Water	°dh	Position
V.soft	<3°	d1
Soft	>4°	d2
Average	>7°	d3
Hard	>14°	d4
V.Hard	>21°	d5

(Adjust as necessary, using d6 in some hard water cases.)

>=higher/<=lower



Use only special dishwasher salt. Other types of salt (e.g. regular household salt) often contain substances that do not dissolve completely in water and can therefore obstruct the water softener, thus making it unusable.

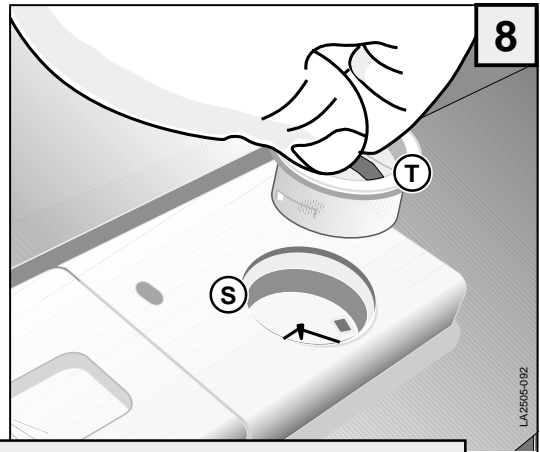


Indication of salt level (if present)

The green mark under the cap indicates that there is still enough salt in the container. If the green mark is no longer visible, the salt container needs to be refilled with special dishwasher salt.

Refilling of rinse aid

The rinse aid, which is released automatically during the final phase of the wash cycle, guarantees that the dishes dry quickly, and prevents the formation of stains and calcium sediments.



Only use rinse aids for dishwashers. Other products won't obtain the desired effect.

The rinse aid container **S** is located on the inside of the door.

- Remove the container cap **T** by turning it 1/4 revolution anticlockwise.
- Fill container with rinse aid up to the broken line. Maximum quantity: about 140 ml.
- Put the cap back in its place.
- To prevent too much foam from being produced during the rinsing process, clean off all rinse aid residue with a cloth.

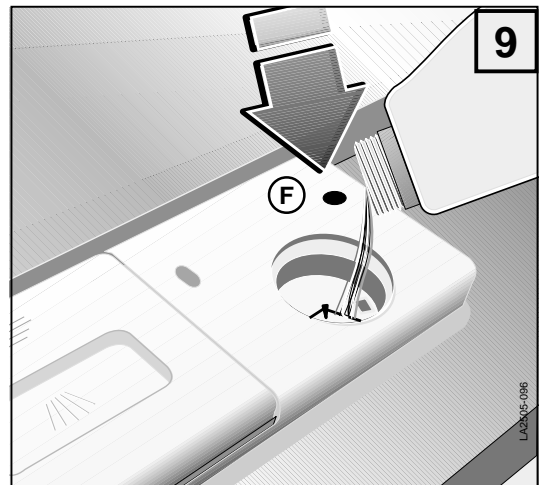
Indication of rinse aid level

• Electric (fig. 8)

The appliance is equipped with a level indicator for the rinse aid. When the indicator illuminates, more rinse aid is needed.

• Mechanical (fig. 9)

More rinse aid needs to be added when the indicator (located on the container **F**) is clear (●). When the container is full, the indicator will darken in colouration.



Regulation of rinse aid dosage

The regulation **R** of the quantity of rinse aid that is released can be found in the refill opening of the rinse aid container.

It can be adjusted with a screwdriver. The possible settings range from **1 to 4.1** corresponds to a release of one ml of rinse aid, **4** indicates 4ml is required, etc. The appliance has been set on **2 (two ml)** by the manufacturer.

A full rinse aid container is sufficient for about 50 wash cycles. The quantity of rinse aid to be released should be adjusted depending on the results of the wash process.

- Always wipe off with a cloth any rinse aid that has spilled over from the container.

It is important to check the level of rinse aid in the container periodically – if possible every 31 wash cycles.

Adding the detergent

IMPORTANT! Do not use detergents in this dishwasher that are made for dish washing by hand! These substances produce large quantities of foam but they do not clean the dishes in a dishwasher.

- They can even lead to the malfunction of the appliance.

You should therefore only use detergents that are specifically made for household dishwashers.

Keep your detergent containers closed and in a dry place.

Detergent is not required when using the pre-wash programme only.

During a programme the detergent is automatically taken from the detergent container.

We recommend the use of about 25 g of detergent.

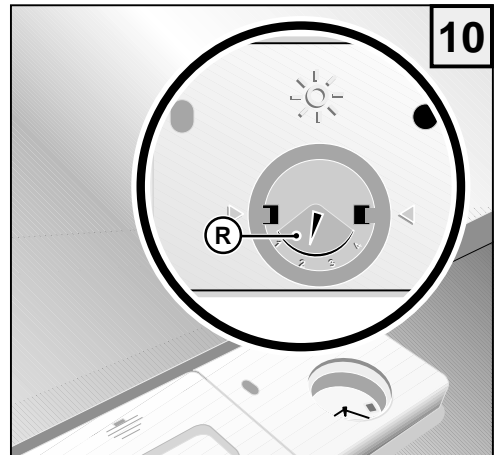
Detergents vary in their strength and efficiency. You should therefore pay attention to the dosage recommendations of each manufacturer.

The container for the detergent is located on the inside of the door.

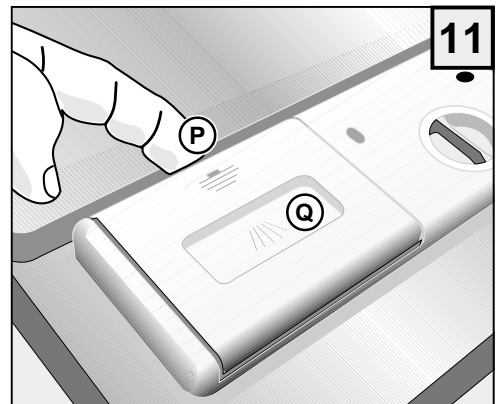
If the lid is closed:

- Push forward, closing mechanism **P**. (Figure 11)
The lid will open with a “click”.
- Fill the detergent into the container **V**. (Figure 12)
- To close the lid, press until you hear a closing “click”.

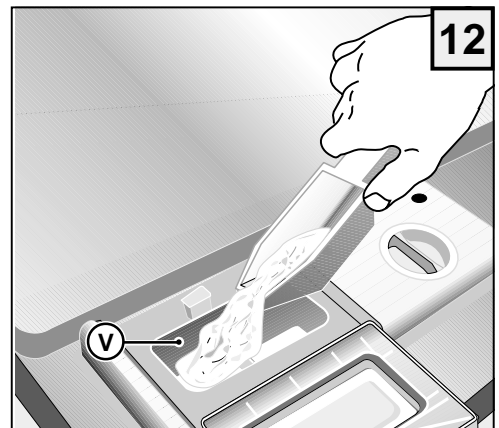
If your dishes are exceptionally dirty, you can also fill some detergent into the indentation **Q** of the lid. In this case, fill the indentation up to the edge. This detergent will be available and active during the pre-wash phase.



LA2505-094



LA2505-090



LA2505-100

How to load and unload the dishwasher

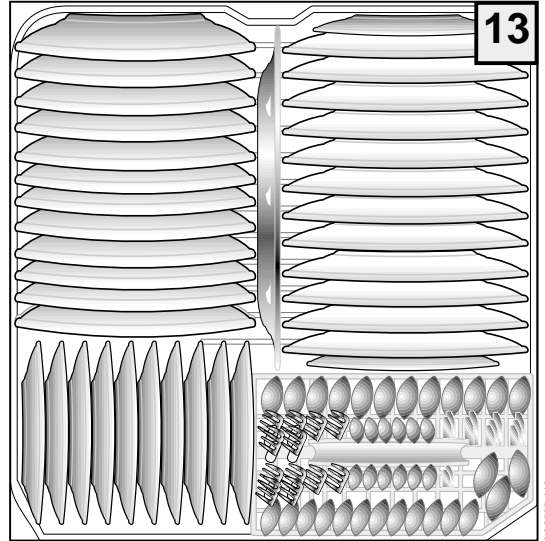
There are two dish baskets that allow you to store many different kinds of dishes.

- To prevent obstruction of the filter and the creation of bad odors, remove any large pieces of food from your dishes.
- If pots and pans are particularly dirty and contain crusts of food (after frying or roasting), soak them in a water bath before washing them in the dishwasher.

Use of the lower basket

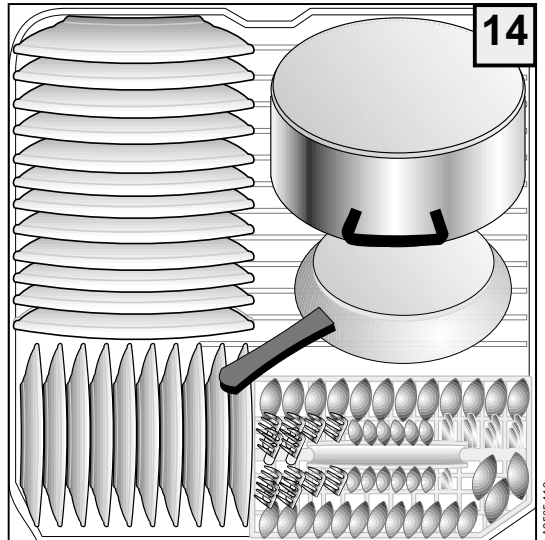
The lower basket is intended to hold dishes that are more difficult to clean, as well as contain the cutlery basket.

The lower basket holds regular plates, soup bowls, pans, soup tureens, lids, and serving dishes. Flat and deep plates must be placed in a way that leaves some space between them. (See figure 13.)



All plates must be in a vertical position so that the water can pass freely.

Pots and pans must always be placed upside down. You can choose any kind of loading configuration, but you should make sure that the dirtiest surfaces of dishes, pots and pans face the water spray and that the water can flow without obstruction. (See figure 14)



Cutlery

For best cleaning results, cutlery should be inserted with its handles facing down. Spoons, forks, and knives must be placed in the specific areas of the cutlery basket that they are designed for.



ATTENTION:

Particularly long cutlery, specifically “long knives”, should not be positioned pointing upwards but should be placed horizontally in the top tray, or washed by hand.

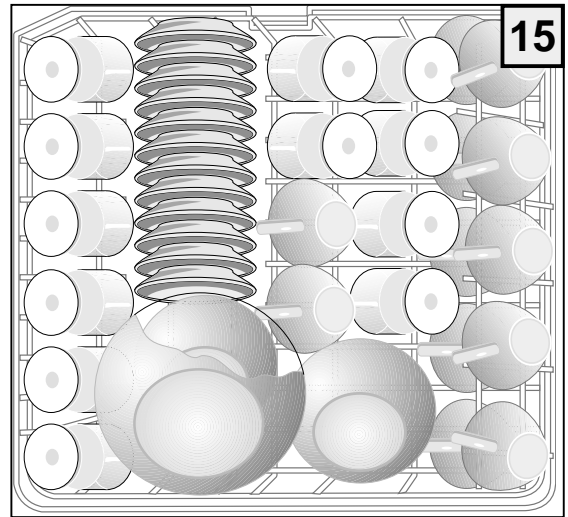
Use of the upper basket

The upper basket can be pulled out all the way. It holds small and medium sized dishes such as glasses, small plates, tea and coffee cups, small salad bowls, and small pots and pans that are not very dirty.

Desert plates must always be placed vertically; glasses, cups, pots and pans must be placed upside down.

Light dishes should be held by a support structure so that they don't get thrown around by the water jet.

To achieve the best from your dishwasher and, the best washing result, place the dishes inside the dishwasher as shown in figure 15.



LA2505-120

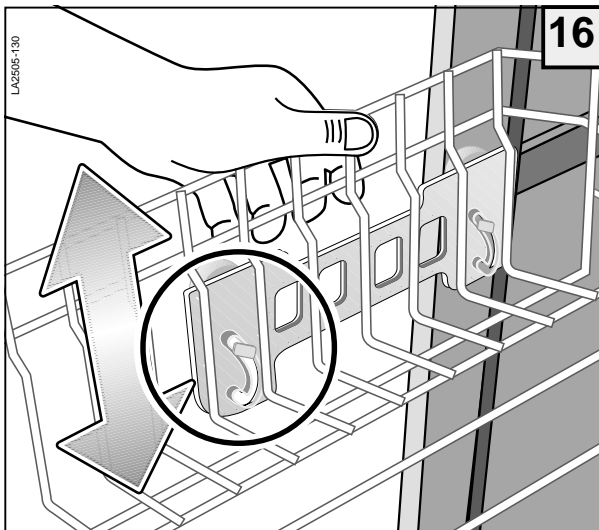


Because of the elevated temperature of the water used to wash the dishes and the potential chemical reactions with the detergent, it is recommended not to wash copper or aluminium dishes, cutlery with wood or horn handles, delicate porcelains, non heat resistant glass or plastic dishes in the appliance. If you possess decorated porcelain, you should test one single piece to make sure that the décor is not damaged or altered.

Height regulation of the upper basket

Use the handle on the side (only on left) to regulate the basket's height and inclination.

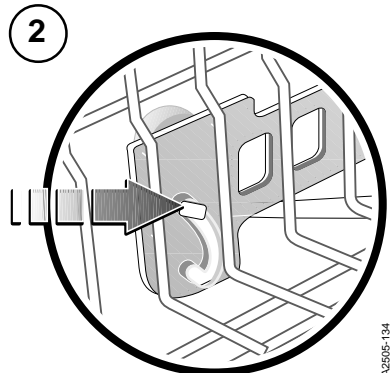
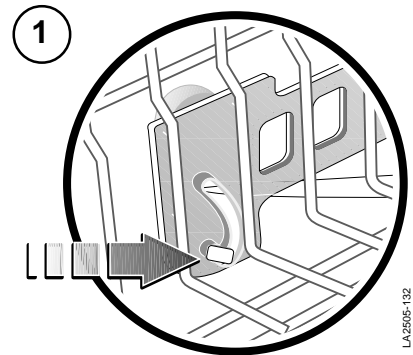
- 1 regulation of horizontal position
- 2 regulation of inclination



LA2505-130

16

LA2505-132

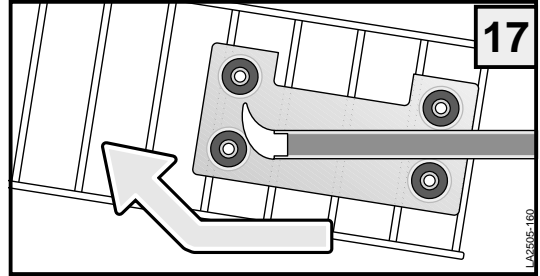


LA2505-134

Pulling out the upper basket

The upper basket can be pulled out and removed as shown in figure 17.

Description of control buttons and indication lights

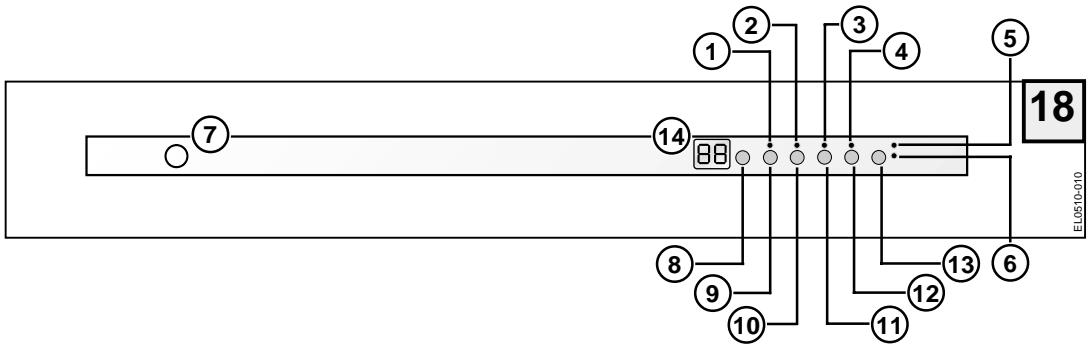


Led Display

- 1) Indication of delayed start
- 2) Indication of half load
- 3) Indication of pre-wash cancel
- 4) Indication of drying
- 5) Indication of low salt level
- 6) Indication of low rinse aid level

Control buttons

- 7) On/Off
- 8) Programme selection
- 9) Delayed start selection
- 10) Half load selection
- 11) Pre-wash cancel selection
- 12) Drying selection
- 13) Start/Stop/Pause programme
- 14) Multifunction display



Start

After checking the quantities of regeneration salt and rinse aid, open the water tap completely, place the dishes in the baskets, fill detergent into the detergent container and add detergent for the pre-wash (if necessary).

Now proceed as follows:

- Use the On/Off button (7). On the display (14) the words **programme selection** will appear.
- Use the programme selection button (8) to select the desired programme
- Press the start/pause programme button (13) then close the front door. After a sound signal, indicating the start of the programme, the appliance will run the wash cycle automatically.

Note: On the display, the duration of the chosen programme will be shown.



It is advisable not to open the dishwasher during the wash.

Options

(Note: the various options must be selected before initiating the wash cycle)

- **Delayed start (9)**: time delays for the initiation of the wash cycle can be set ranging from 1 to 16 hours. On the display, the delay period that was selected will be shown. The LED display will be blinking during the entire delay period.

The selection of this setting option is confirmed when the number of the pre -selected programme appears on the display.

- **Half load (10)**: when choosing this wash cycle option, the following indication will appear on the display: (=wash superior basket, _=wash inferior basket). The corresponding LED indication will be illuminated.

The selection of this setting option is confirmed when the number of the pre-selected programme appears on the display.

- **Pre-wash cancel (11)**: This option is only available for programmes that include a pre-wash.

When pressing the button, the corresponding LED indication will be illuminated.

The selection of this setting option is confirmed when the number of the pre-selected programme appears on the display.

- **Drying (12)**: this programme option is carried out automatically by the programmes which include the DRYING function (see programme table). To modify the dryer setting, the drying button (12) must be pressed before initiating the chosen programme. On the display, the following information will appear: AO = no drying; A1= Drying 20'; A2 = Drying 35'; A3 = Drying 45.' (Referring to the program run time.) The corresponding LED indication will be illuminated.

The selection of this setting option is confirmed when the number of the pre -selected programme appears on the display.

- **Note:** In the models without the drying ventilator, this **option** is to be considered as waiting time at the end of the cycle.

- **Description of Start/Stop/Pause button (13)**

- It initiates the wash programme cycle (7) (the buzzer sound indicates that the cycle has started).
- When you turn on the machine, using the **ON/OFF** button, the display indicates the number of the last program that has been carried out. In cases where the previous program has not yet finished, the display will flash the program number. In order to re-start, simply press the "**START**" button (13), the remaining time that is necessary in order to finish the cycle will appear automatically on the display.

(Situations such as this will occur each time you open the machine, when it is carrying out a program).

- **NOTE:** should you wish to add or remove crockery etc., do so, then press button (13) to continue the washing program, and close the door.

- **Changing program settings after a mistake**

- Reset by using the start/stop/pause button (13) : keep the button pressed until the buzzer stops beeping. (delete rest.)

- Repeat the select programme operation.

Note: If the programme has been initiated and has run beyond the water fill phase, the display indicates "□□", then, the appliance will discharge all water, and (after a prolonged buzzer sound) the display will indicate the pre-selected programme setting.

Now the appliance is ready for a new setting.

- **Note:** Once you have opened the door, always press the Start button (13) in order to restart the dishwasher.

- **Activation / de-activation of the buzzer**

b0 = Buzzer DEACTIVATED

b1 = Buzzer ACTIVATED

In order to access the setting of the BUZZER, keep the PROGRAM button (8) pressed down when you turn on the machine. The current setting "b1" will be visualised on the Display. In order to change this setting, press the same button until you have selected the status of the buzzer that you desire. Wait for approximately 6 seconds, without changing your choice, the sound of the BUZZER will confirm that the setting has been memorised.

- **End of cycle**

Once the washing cycle has finished (14), the **program number** will appear lit up. If the display is still flashing, wait for the end of the cycle.

Stop

At the end of the programme, the dishwasher will stop automatically and a long buzzer sound will be activated, indicating the end of the wash cycle. To turn it off, press the button on/off (7). After each wash cycle, the water tap must be closed to insulate the appliance from the water supply system.

Table of wash programmes

Programmes	Programme number	Turn on & Select Prog.	Add Detergent		Dishes and degree of dirt	Programme descriptions	Duration* (1)
		ON OFF ⓘ	pre-wash	wash			
Rinse	P1	•			Pans and dishes waiting for next wash cycle	Short cold wash to prevent food residues from drying up and forming crusts on the dishes	11'
Intensive 70 ° C	P2	•	•	•	Very dirty dishes (except delicate pieces)	1 warm Pre-wash – Main wash 3 rinse (2 cold – 1 warm) Drying	2h
Normal 60° C (EN 50242)	P3	•	•	•	Medium dirty dishes (except delicate parts)	1 cold pre-wash – Main wash 2 rinse (1 cold – 1 warm) Drying	2h 17'
Delicate 60° C	P4	•		•	Very dirty pans and dishes	Main wash 2 rinse (1 cold – 1 warm) Drying	1h 40'
Normal 40° C	P5	•	•	•	Normally dirty dishes	1 cold pre-wash – Main wash 2 rinse (1 cold – 1 warm)	49'
Rapid 40° C	P6	•		•	Very dirty dishes	Main wash 2 rinse (1 cold – 1 warm)	39'
Biological 60° C	P7	•		•	Pans and dishes	Main wash 3 rinse (2 cold – 1 warm) Drying	1h 38'
Strong 70° C	P8	•	•	•	Pans and dishes very dirty	1 warm Pre-wash – Main wash 3 rinse (2 cold – 1 warm) Drying	2h 11'

(1) N.B. Indicative duration of the washing times including the duration of the drying times in the programs where drying is included.

Drying time "setting of the defaults in A2=35".

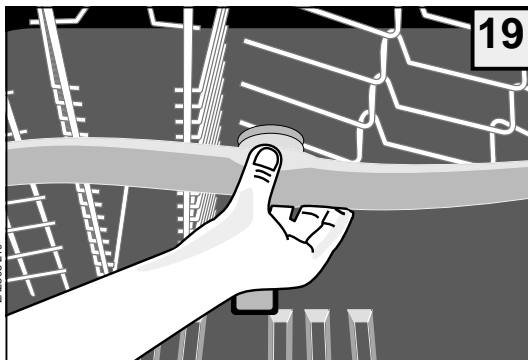
(*) In the P1 program it is possible to have a drying setting (see options paragraph); in this way you will have a warm rinse program with a drying feature (PLATE WARMER) with the following settings:

A1 washes at 65°C it dries for 20' – A2 washes at 60°C and dries for 35' – A3 washes at 50° C and dries for 45'.

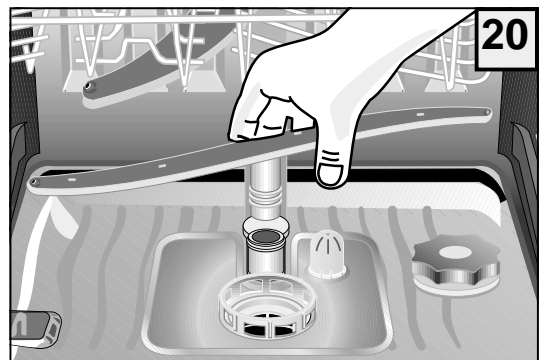
7 CLEANING AND MAINTENANCE

7.1 CLEANING OF SPRAY-ROTORS

The spray-rotors can easily be removed for the periodic cleaning of the jets in order to prevent possible obstructions. Wash them thoroughly under running water and put them back in their correct position.



To remove the upper spray-rotor:
Unscrew the spray-rotor support anti-clockwise.



To remove the lower spray-rotor:
Pull the spray-rotor upwards and take it out.

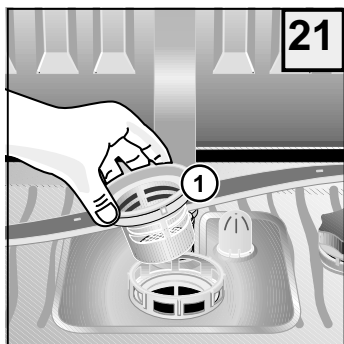
7.2 CLEANING OF FILTERS

After each wash the filter group should be checked in order to remove possible dirt residues. Proceed as follows:

- take out the central filter **1**.
- remove the external water filter **2**.
- take out mobile grid **3**.

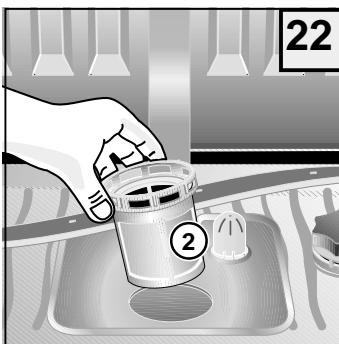
Clean these components under running water. It is important to clean all filters thoroughly. (The dishwasher cannot function properly with obstructed filters.)

To avoid damage to the wash pumps, it is recommended that the filters are replaced back in their positions immediately after cleaning.



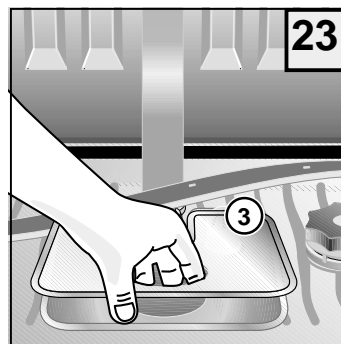
21

LA2505-180



22

LA2505-190



23

LA2505-200

7.3 CLEANING OF THE DISHWASHER'S EXTERNAL SURFACES

The dishwasher's surfaces (metal with a plastic front) must be cleaned periodically. Use a clean and soft piece of fabric. Never use acids or abrasive detergents.

If you don't use the appliance for long periods of time

If the dishwasher is not being used for extended periods of time, you should proceed as follows:

- run the pre-wash programme twice
- remove the electric plug from the outlet
- disconnect the water supply tube
- leave the door slightly open to avoid the formation of bad odours.

7.4 TABLE OF ERROR CODES

Error	When this occurs	Checks to carry out	Action to be taken
E1	During the water cycle (the program stops)	- Tap closed - Filter of loading tube blocked - Drainage tube flat - Drainage tube broken - Water supply tube bent - Insufficient water pressure	- Reset the dishwasher - Check - Reset the dishwasher - Call the authorised assistance centre - Reset the dishwasher - Verify the water pressure
E2	At the end of the cycle	- Repeat the washing cycle	- If the same problem reoccurs, contact the authorised technical assistance centre immediately communicating to them the type of error that is shown.
E4	At the end of the cycle	- Insufficient water pressure - The litre counter valve is not working	- Verify the water pressure - Call the authorised assistance centre
E5	At the end of the cycle	- The drainage tube is bent - The siphon is blocked - The drainage pump is blocked	- Check - Check - Call the authorised assistance centre
E6	At the end of the cycle	- The filter grills are blocked - A pot is placed up side down	- Clean the filter grills - Check at the end of the cycle, position the pots correctly during the next wash
E7	At the end of the cycle	- Repeat the washing cycle	- If the same problem reoccurs, contact the authorised technical assistance centre

N.B.: Upon contacting the authorised technical assistance centre always communicate the type of error encountered.

8 WHAT TO DO IN CASE OF MALFUNCTIONS

You should first check whether it is possible to rectify some minor problems yourself. If you are unable to identify or remove the problem, you should contact the technical client assistance service.

- **The programme does not start**

- Are the internal fuses broken? Is the dishwasher connected to the electric supply system?
- Is the door closed properly? Press on the door to close it completely.

- **No water enters the appliance**

- Is the water tap open?
- Is the filter between the tap and the water supply tube obstructed? If so, clean the filter.
- Is the water supply tube obstructed? Check the tube.

- **The programme indicator does not move on from its starting position**

- Is the water tap completely open?
- Is the filter between the tap and the water supply tube obstructed? If so, clean the filter.
- Is the water pressure lower than 0.05 Mpa?

- **The used water is not being evacuated from the dishwasher**

- Is the waste disposal tube obstructed? Check the tube.
- The siphon is obstructed? Check the siphon.

- **The dishes are not clean after washing them**

- Did you choose an appropriate programme for the type of dishes and the degree of dirt you are dealing with?
- Are the dishes arranged in a way that allows the water-jet to reach all their surfaces?
- Are the dishwasher's baskets overloaded?
- Are the spray-rotors blocked by a dish or some cutlery?
- Are all filters at the bottom of the dishwasher clean? Are they all in their correct position?
- Did you add the correct amount of detergent?
- Is the water discharge tube connected properly?
- Is there still any special dishwasher salt in the appropriate container? Without salt the water is not being softened.
- Is the water softening system adjusted according to the local amount of calcium in the water?

- **The dishes do not dry or they remain opaque**

- Is there any rinse aid left in the appropriate container?

- **Glasses and dishes show the formation of lines, spots, and stains or a shiny blue colouration**

- During the rinse process too much rinse aid is being released. Adjust the rinse aid release.

- **Glasses and dishes show stains of dried water**

- During the rinse process too little rinse aid is being released. Adjust the rinse aid release.

Please note:

The appliance was tested and checked by the manufacturer, consequently, you may find some traces of water inside. These will disappear after the first use.

SERVICING

Calling for Service

Please consult your retailer in the first instance. If you experience difficulty, contact Belling Appliances After Sales Division.

Remember that you may be charged for the visit (even during the guarantee period) if nothing is found to be wrong with the appliance, so always check the instructions to make sure that you have not missed anything.

Belling Appliances After Sales Division (Service)
Tel: 08457 454540 (all calls will be charged at local rate)

Before contacting a service agent, please note the following details about your appliance:

Model Number _____

Serial Number _____

Date of Purchase _____

Also note your Postcode _____

In order to provide a complete service history for your Belling appliance, please ask the service engineer to record the appropriate details in the chart below.

Date	Nature of Fault	Parts Replaced or Repaired	Authorised Stamp or Signature



Belling Appliances Ltd, Mexborough, South Yorkshire, S64 8AJ.